

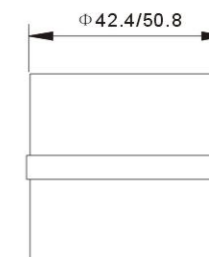


### GVF001



Material: Stainless steel casting(S/S 202, S/S 304, S/S 316)  
 Finish: SSS,PSS  
 Description: Internal Connector  
 Suitable for Tube  $\Phi$  42.4mm and  $\Phi$  50.8mm

材質: 不銹鋼精鑄 (S/S 202, S/S 304, S/S 316)  
 表面處理: 磨砂, 鏡光  
 描述: 180° 直通 管連接件  
 適配:  $\Phi$  42.4mm和 $\Phi$  50.8mm管徑

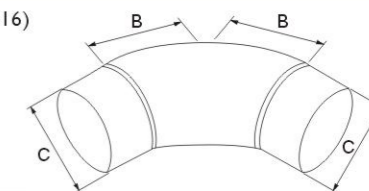


### GVF002



Material: Stainless steel casting(S/S 202, S/S 304, S/S 316)  
 Finish: SSS,PSS  
 Description: 90° Curved elbow  
 Suitable for Tube  $\Phi$  42.4mm and  $\Phi$  50.8mm

材質: 不銹鋼精鑄 (S/S 202, S/S 304, S/S 316)  
 表面處理: 磨砂, 鏡光  
 描述: 90° 大彎管連接件  
 適配:  $\Phi$  42.4mm和 $\Phi$  50.8mm管徑



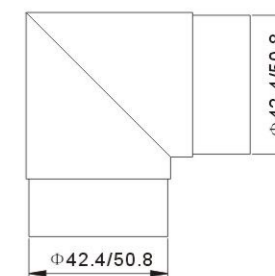
Size	B	C( $\Phi$ )
38	48	38.1
51	58	50.8

### GVF003



Material: Stainless steel casting(S/S 202, S/S 304, S/S 316)  
 Finish: SSS,PSS  
 Description: 90° Mitred elbow  
 Suitable for Tube  $\Phi$  42.4mm and  $\Phi$  50.8mm

材質: 不銹鋼精鑄 (S/S 202, S/S 304, S/S 316)  
 表面處理: 磨砂, 鏡光  
 描述: 90° 小彎管連接件  
 適配:  $\Phi$  42.4mm和 $\Phi$  50.8mm管徑

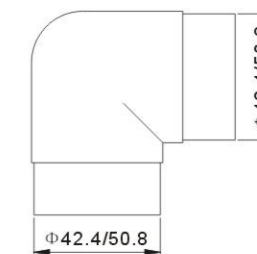


### GVF004



Material: Stainless steel casting(S/S 202, S/S 304, S/S 316)  
 Finish: SSS,PSS  
 Description: 90° Mitred elbow  
 Suitable for Tube  $\Phi$  42.4mm and  $\Phi$  50.8mm

材質: 不銹鋼精鑄 (S/S 202, S/S 304, S/S 316)  
 表面處理: 磨砂, 鏡光  
 描述: 90° 小彎管連接件  
 適配:  $\Phi$  42.4mm和 $\Phi$  50.8mm管徑

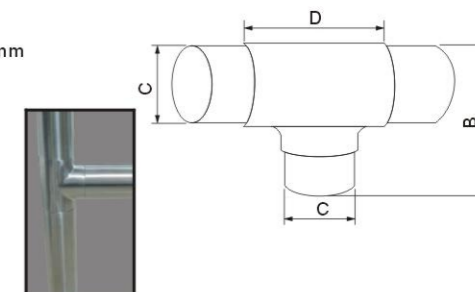


### GVF005



Material: Stainless steel casting(S/S 202, S/S 304, S/S 316)  
 Finish: SSS,PSS  
 Description: Flush tee connector  
 Suitable for Tube  $\Phi$  42.4mm and  $\Phi$  50.8mm

材質: 不銹鋼精鑄 (S/S 202, S/S 304, S/S 316)  
 表面處理: 磨砂, 鏡光  
 描述: T型三通管連接件  
 適配:  $\Phi$  42.4mm和 $\Phi$  50.8mm管徑



Size	B	C( $\Phi$ )	D
38	48	50.8	75

### GVF006



Material: Stainless steel casting(S/S 202, S/S 304, S/S 316)  
Finish: SSS,PSS  
Description: 3 Ways Tube Connector  
Suitable for Tube  $\Phi$  42.4mm and  $\Phi$  50.8mm

材質: 不銹鋼精鑄 (S/S 202, S/S 304, S/S 316)  
表面處理: 磨砂, 鏡光  
描述: 3通管連接件  
適配:  $\Phi$ 42.4和 $\Phi$ 50.8mm管徑



### GVF007



Material: Stainless steel casting(S/S 202, S/S 304, S/S 316)  
Finish: SSS,PSS  
Description: 4 Ways Tube Connector  
Suitable for Tube  $\Phi$  42.4mm and  $\Phi$  50.8mm

材質: 不銹鋼精鑄 (S/S 202, S/S 304, S/S 316)  
表面處理: 磨砂, 鏡光  
描述: 平面4通管連接件  
適配:  $\Phi$ 42.4和 $\Phi$ 50.8mm管徑



### GVF008



Material: Stainless steel casting(S/S 202, S/S 304, S/S 316)  
Finish: SSS,PSS  
Description: Adjustable elbow  
Suitable for Tube  $\Phi$  42.4mm and  $\Phi$  50.8mm

材質: 不銹鋼精鑄 (S/S 202, S/S 304, S/S 316)  
表面處理: 磨砂, 鏡光  
描述: 萬向管連接件  
適配:  $\Phi$ 42.4和 $\Phi$ 50.8mm管徑



### GVF009

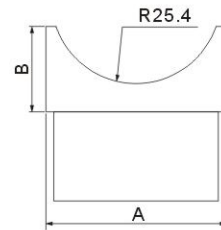


Material: Stainless steel casting(S/S 202, S/S 304, S/S 316)  
Finish: SSS,PSS

材質: 不銹鋼精鑄 (S/S 202, S/S 304, S/S 316)  
表面處理: 磨砂, 鏡光



Size	A( $\Phi$ )	B
38	42.4	18
51	50.8	30



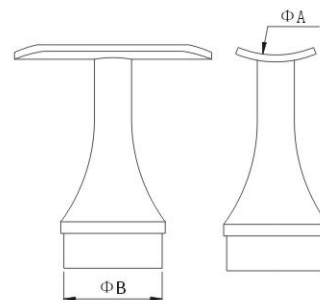
### GVF010



Material: Stainless steel casting(S/S 202, S/S 304, S/S 316)  
Finish: SSS,PSS  
Description: Balustrade Top Handrail Support  
Suitable for Balustrade  $\Phi$  38mm and  $\Phi$  50.8mm  
Suitable for Handrail  $\Phi$  38mm,  $\Phi$  42.4mm and  $\Phi$  50.8mm

材質: 不銹鋼精鑄 (S/S 202, S/S 304, S/S 316)  
表面處理: 磨砂, 鏡光  
描述: 立柱托頭  
適配:  $\Phi$ 38mm和 $\Phi$ 50.8mm立柱  
 $\Phi$ 38mm,  $\Phi$ 42.4mm和 $\Phi$ 50.8mm扶手

A	B
38	38
42.4	50.8
50.8	



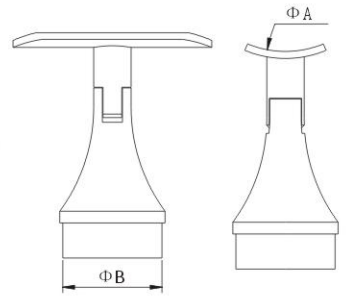
### GVF011



Material: Stainless steel casting(S/S 202, S/S 304, S/S 316)  
Finish: SSS,PSS  
Description: Balustrade Top Handrail Support  
Suitable for Balustrade  $\Phi$  38mm and  $\Phi$  50.8mm  
Suitable for Handrail  $\Phi$  38mm,  $\Phi$  42.4mm and  $\Phi$  50.8mm

材質: 不銹鋼精鑄 (S/S 202, S/S 304, S/S 316)  
表面處理: 磨砂, 鏡光  
描述: 立柱托頭  
適配:  $\Phi$ 38mm和 $\Phi$ 50.8mm立柱  
 $\Phi$ 38mm,  $\Phi$ 42.4mm和 $\Phi$ 50.8mm扶手

A	B
38	38
42.4	50.8
50.8	



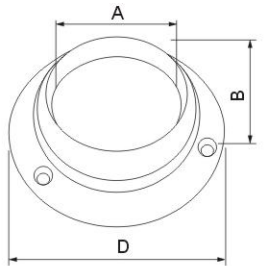
### GVF012



Material: Stainless steel casting(S/S 202, S/S 304, S/S 316)  
Finish: SSS,PSS  
Description: Wall flange

材質: 不銹鋼精鑄 (S/S 202, S/S 304, S/S 316)  
表面處理: 磨砂, 鏡光  
描述: 法蘭底座

Size	A( $\Phi$ )	B	D( $\Phi$ )
38	38.1	30	76
51	50.8	30	90

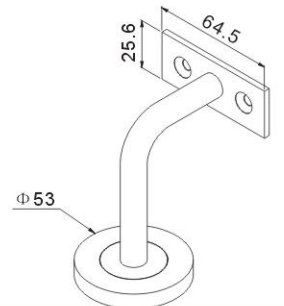
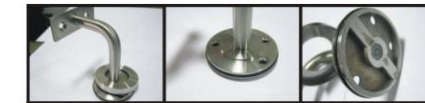


### GVF013



Material: Stainless steel casting(S/S 202, S/S 304, S/S 316)  
Finish: SSS,PSS  
Description: Wall support

材質: 不銹鋼精鑄 (S/S 202, S/S 304, S/S 316)  
表面處理: 磨砂, 鏡光  
描述: 扶手托



### GVF014

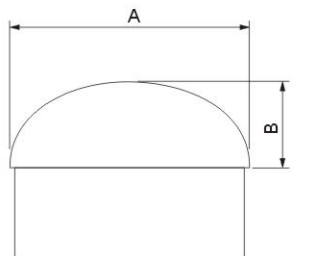


Material: Stainless steel casting(S/S 202, S/S 304, S/S 316)  
Finish: SSS,PSS  
Description: End caps  
Suitable for Handrail  $\Phi$  42.4mm and  $\Phi$  50.8mm

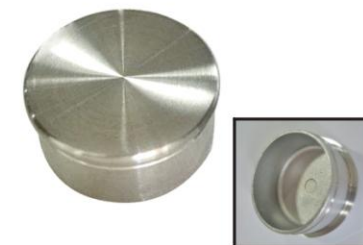
材質: 不銹鋼精鑄 (S/S 202, S/S 304, S/S 316)  
表面處理: 磨砂, 鏡光  
描述: 管封尾蓋  
適配:  $\Phi$ 42.4mm和 $\Phi$ 50.8mm扶手



Size	A( $\Phi$ )	B
38	38.1	24
51	50.8	30

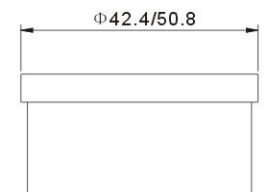


### GVF015



Material: Stainless steel casting(S/S 202, S/S 304, S/S 316)  
Finish: SSS,PSS  
Description: End caps  
Suitable for Handrail  $\Phi$  42.4mm and  $\Phi$  50.8mm

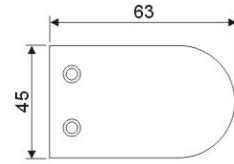
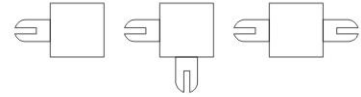
材質: 不銹鋼精鑄 (S/S 202, S/S 304, S/S 316)  
表面處理: 磨砂, 鏡光  
描述: 管封尾蓋  
適配:  $\Phi$ 42.4和 $\Phi$ 50.8mm管徑



### GVF016



Material: Stainless steel casting(S/S 202, S/S 304, S/S 316)  
 Finish: SSS,PSS  
 Description: Glass clamp  
 材質: 不銹鋼精鑄 (S/S 202, S/S 304, S/S 316)  
 表面處理: 磨砂, 鏡光  
 描述: 橢圓平底玻璃夾

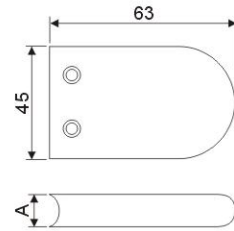
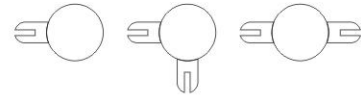


### GVF017



Material: Stainless steel casting(S/S 202, S/S 304, S/S 316)  
 Finish: SSS,PSS  
 Description: Glass clamp  
 材質: 不銹鋼精鑄 (S/S 202, S/S 304, S/S 316)  
 表面處理: 磨砂, 鏡光  
 描述: 橢圓弧底玻璃夾

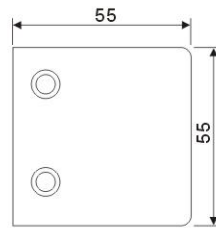
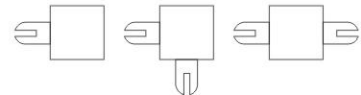
A(Φ)	38.1	42.4	50.8
------	------	------	------



### GVF018



Material: Stainless steel casting(S/S 202, S/S 304, S/S 316)  
 Finish: SSS,PSS  
 Description: Glass clamp  
 材質: 不銹鋼精鑄 (S/S 202, S/S 304, S/S 316)  
 表面處理: 磨砂, 鏡光  
 描述: 四方平底玻璃夾

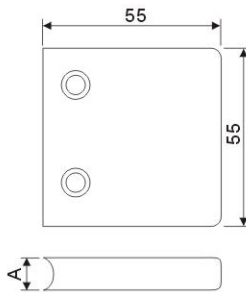
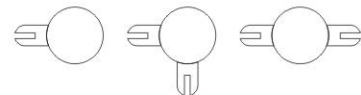


### GVF019



Material: Stainless steel casting(S/S 202, S/S 304, S/S 316)  
 Finish: SSS,PSS  
 Description: Glass clamp  
 材質: 不銹鋼精鑄 (S/S 202, S/S 304, S/S 316)  
 表面處理: 磨砂, 鏡光  
 描述: 四方弧底玻璃夾

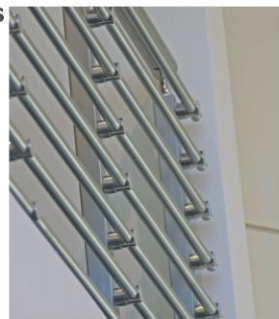
A(Φ)	38.1	42.4	50.8
------	------	------	------



**Stainless steel Handrail Accessories achieve European Safety Standards**  
 不銹鋼欄杆精鑄配件符合歐盟安全標準



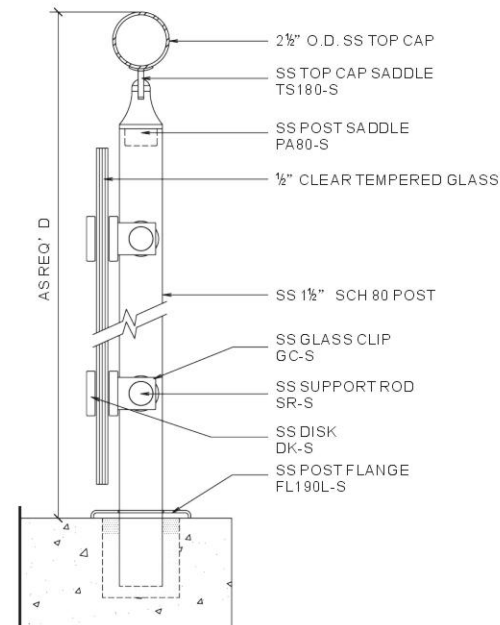
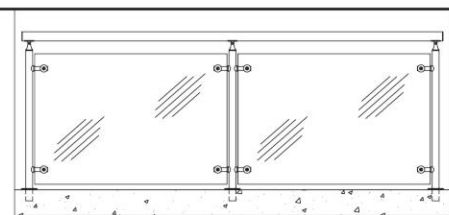
GVF020    GVF021    GVF022    GVF023    GVF024



### GV101

柱體采用304/316不銹鋼Φ38.1/Φ42.4/Φ50.8X1.2mm管材制造  
 座板采用304/316不銹鋼 6mm板材  
 表面處理: 砂光, 鏡光, PVD  
 推力及承重力達歐盟標準

Main part make of SS304/SS316 stainless steel tube  
 Φ38.1/Φ42.4/Φ50.8X1.2mm Base  
 Base plate make of ss304/ss316 stainless steel plate 6mm(t)  
 Finish:satin,polish,pvd  
 Thrust and load-bearing reach european standard



### 酒店工程實例 Hotel Project Case

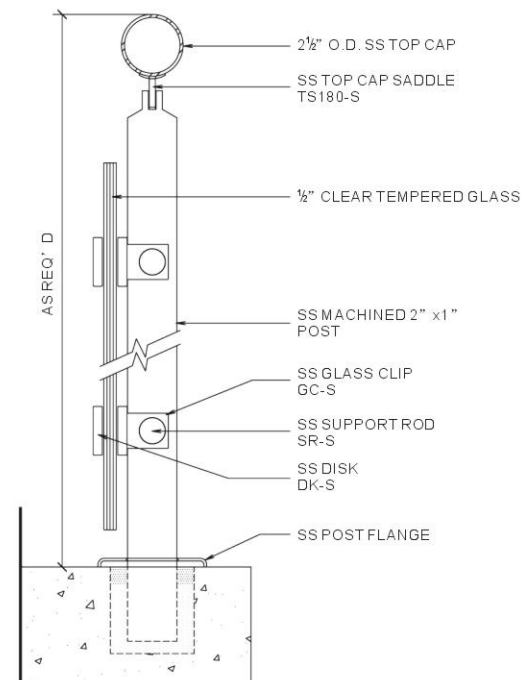
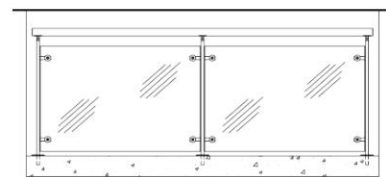
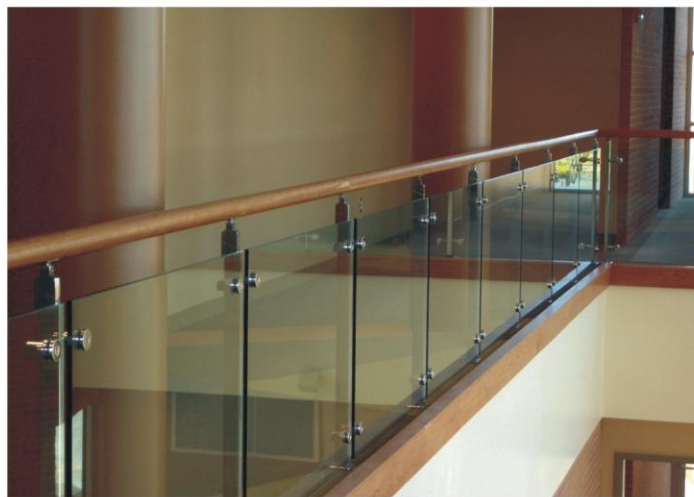
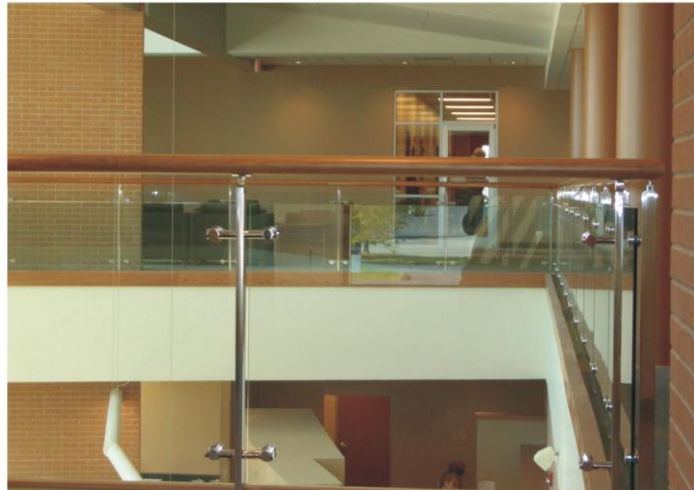


## GV102

方管采用304/316不銹鋼  
 □30X30X1.5/1.2/□40X40X1.5/1.2方管制造  
 底板采用304/316不銹鋼6mm/8mm板材  
 表面處理：砂光、鏡光、PVD  
 推力及承重力達歐盟標準

square tube make of Stainless steel 304/316 material  
 30X30X1.5/1.2/□40X40X1.5/1.2  
 Base plate make of Stainless steel 304/316 plate 6mm/8mm (T)  
 Finish:Satin,Polish,PVD  
 Thrust and loading capacity meet the European standards

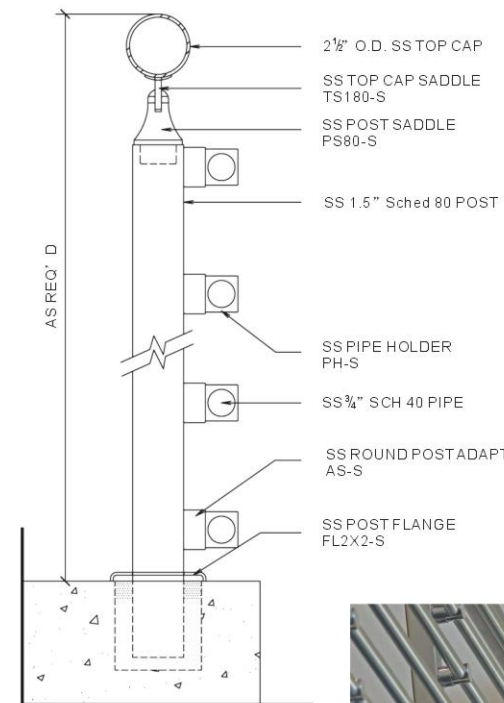
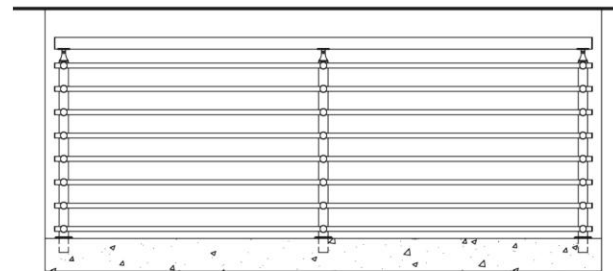
## 酒店工程實例 Hotel Project Case



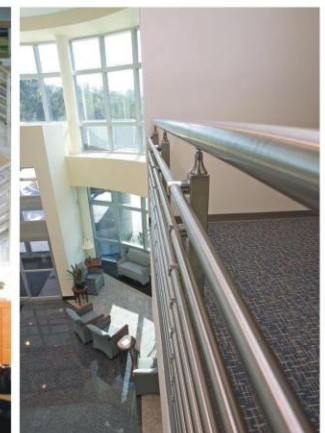
## GV103

方管采用304/316不銹鋼  
 □30X30X1.5/1.2/□40X40X1.5/1.2方管制造  
 底板采用304/316不銹鋼6mm/8mm板材  
 表面處理：砂光、鏡光、PVD  
 推力及承重力達歐盟標準  
 square tube make of Stainless steel 304/316 material  
 30X30X1.5/1.2/□40X40X1.5/1.2  
 Base plate make of Stainless steel 304/316 plate 6mm/8mm (T)  
 Finish:Satin,Polish,PVD  
 Thrust and loading capacity meet the European standards

柱體采用304/316不銹鋼Φ38.1/Φ42.4/Φ50.8X1.2mm管材制造  
 座板采用304/316不銹鋼6mm板材  
 表面處理：砂光、鏡光、PVD  
 推力及承重力達歐盟標準  
 Main part make of SS304/SS316 stainless steel tube  
 Φ38.1/Φ42.4/Φ50.8X1.2mmBase  
 Base plate make of ss304/ss316 stainless steel plate 6mm(t)  
 Finish:satin,polish,pvd  
 Thrust and load-bearing reach european standard



## 會所工程實例 Club Project Case



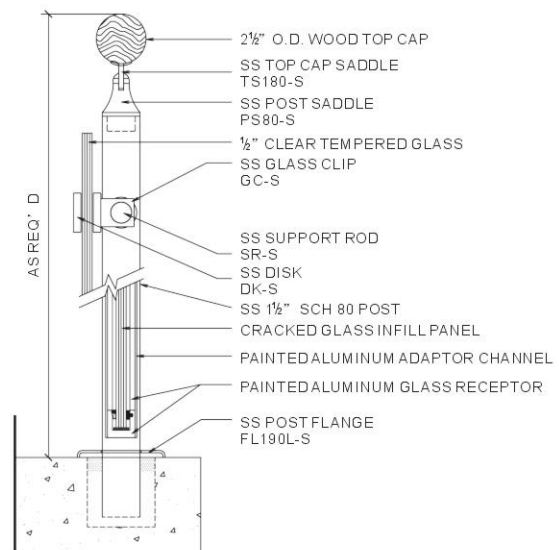
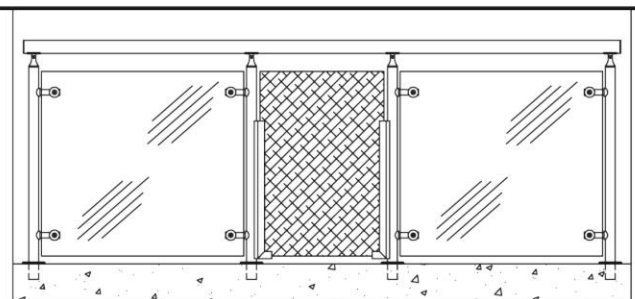
## 商場工程實例 Super market Project Case



### GV104

柱體採用304/316不銹鋼Φ38.1/Φ42.4/Φ50.8X1.2mm管材製造  
座板採用304/316不銹鋼6mm板材  
表面處理：砂光、鏡光、PVD  
推力及承重力達歐盟標準

Main part make of SS304/SS316 stainless steel tube  
Φ38.1/Φ42.4/Φ50.8X1.2mm Base  
Base plate make of ss304/ss316 stainless steel plate 6mm(t)  
Finish:satin,polish,pvd  
Thrust and load-bearing reach european standard



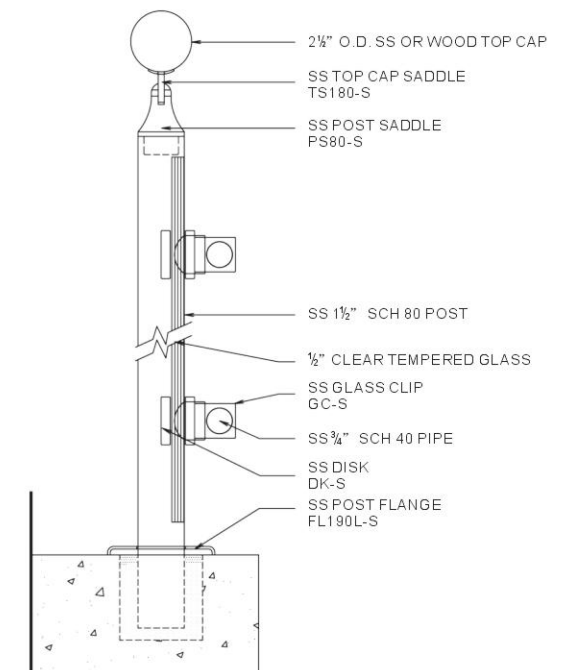
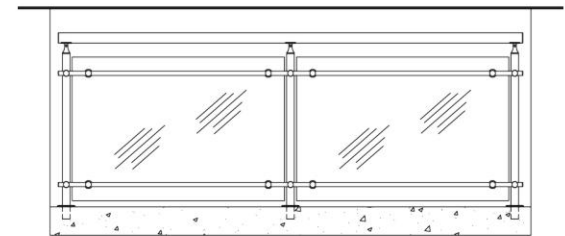
## 體育館工程實例 Gymnasium Project Case



### GV105

柱體採用304/316不銹鋼Φ38.1/Φ42.4/Φ50.8X1.2mm管材製造  
座板採用304/316不銹鋼6mm板材  
表面處理：砂光、鏡光、PVD  
推力及承重力達歐盟標準

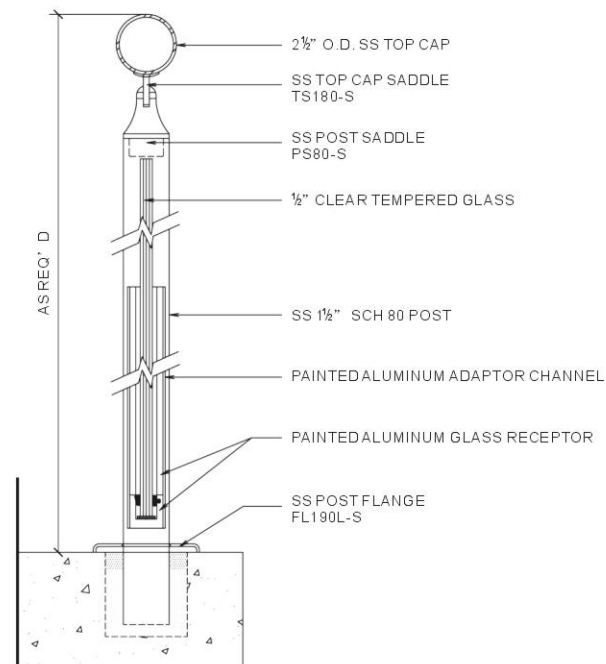
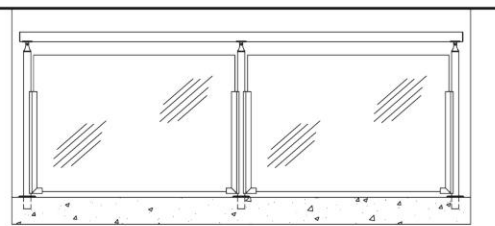
Main part make of SS304/SS316 stainless steel tube  
Φ38.1/Φ42.4/Φ50.8X1.2mm Base  
Base plate make of ss304/ss316 stainless steel plate 6mm(t)  
Finish:satin,polish,pvd  
Thrust and load-bearing reach european standard



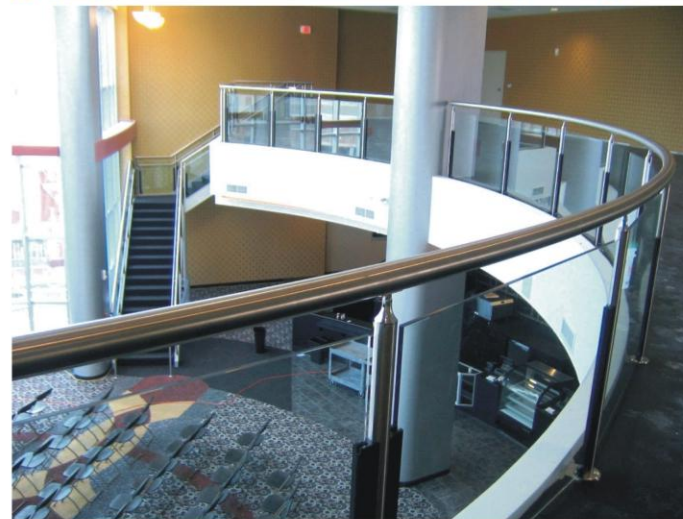
## GV106

柱體採用304/316不銹鋼Φ38.1/Φ42.4/Φ50.8X1.2mm管材製造  
 座板採用304/316不銹鋼6mm板材  
 表面處理：砂光、鏡光、PVD  
 推力及承重力達歐盟標準

Main part make of SS304/SS316 stainless steel tube  
 Φ38.1/Φ42.4/Φ50.8X1.2mm Base  
 Base plate make of ss304/ss316 stainless steel plate 6mm(t)  
 Finish: satin, polish, pvd  
 Thrust and load-bearing reach european standard



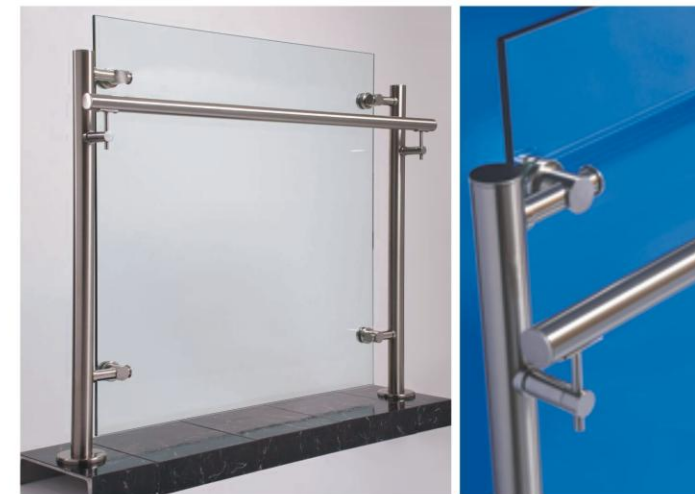
## 政府工程實例 Public Project Case



## GV107

柱體採用304/316不銹鋼Φ38.1/Φ42.4/Φ50.8X1.2mm管材製造  
 座板採用304/316不銹鋼6mm板材  
 表面處理：砂光、鏡光、PVD  
 推力及承重力達歐盟標準

Main part make of SS304/SS316 stainless steel tube  
 Φ38.1/Φ42.4/Φ50.8X1.2mm Base  
 Base plate make of ss304/ss316 stainless steel plate 6mm(t)  
 Finish: satin, polish, pvd  
 Thrust and load-bearing reach european standard



## 公寓/別墅工程實例 Apartment and Villa Project Case

