



卓越源于专业

**PROFESSIONAL**  
**QUALITY CAST**



**C-B01**  
85铝合金执手锁



**C-B02**  
85铝合金执手锁



**C-B09**  
85铝合金执手锁

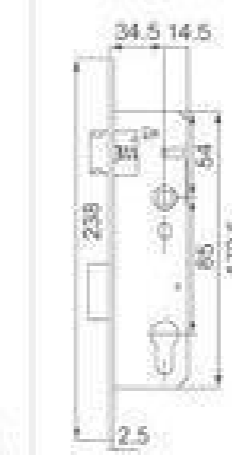


**C-B04**  
85铝合金执手锁

- 面饰: 喷涂
- 安装门厚: 60mm-70mm(可根据型材厚度选择)
- 中心距: 35mm
- 特点: 高质量锁芯, 高质量平开门锁体, 高强度合金压铸把手及挡板  
(可选配中心距25/30mm锁体或其他平开门锁体)
- Finish: Painting
- Door thickness: 60mm-70mm  
(Or according to material thickness)
- Backset: 35mm
- Characteristic: High quality lock cylinder, high quality lock body, high strength alloy handle and plate  
(25/30mm backset lock body or other lock bodies are available)

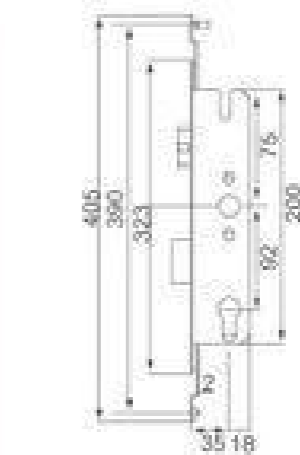
锁体线图  
Lock Body diagram

锁体  
Lock Body



锁体线图  
Lock Body diagram

锁体  
Lock Body

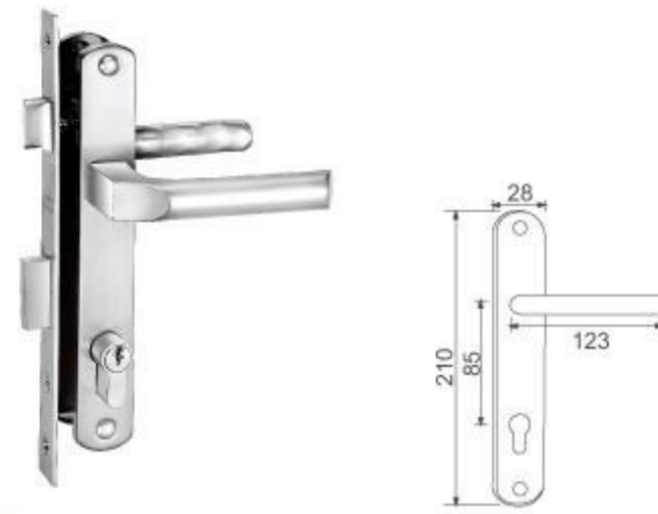
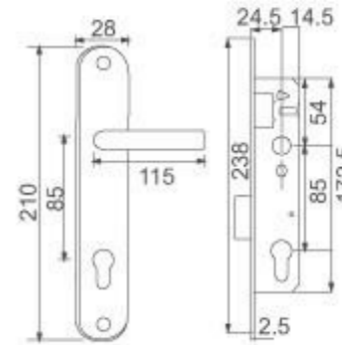


锁芯  
Lock Cylinder



**C-8500B-SN4** 铝合金门执手锁

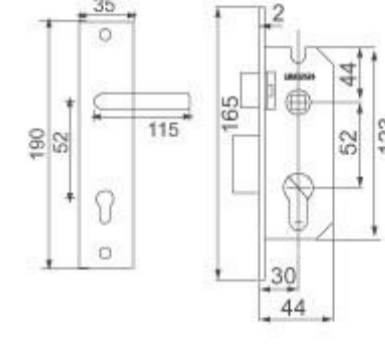
- 面饰: 拉丝
- 安装门厚: 30mm-45mm(可根据型材厚度选择)
- 中心距: 25mm
- 特点: 高质量锁芯, 高质量平开门锁体, 高强度合金压铸把手, 不锈钢挡板  
(可选配中心距20/30/35mm锁体或其他平开门锁体)
- Finish: SN/Painting
- Door thickness: 30mm-45mm(Or as material thickness)
- Backset: 25mm
- Characteristic: High quality lock cylinder, high quality lock body, high strength alloy handle, stainless steel plate  
(20/30/35mm backset lock body or other lock bodies are available)



**C-9500B-SN3**

**C-9500B-4** 铝合金门执手锁

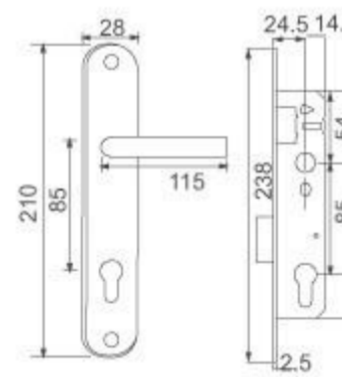
- 面饰: 拉丝
- 安装门厚: 30mm-45mm(可根据型材厚度选择)
- 中心距: 30mm
- 特点: 高质量锁芯、高质量平开门锁体, 高强度合金压铸把手及挡板, 不锈钢挡板,
- Finish: SN
- Door thickness: 30mm-45mm(Or as material thickness)
- Backset: 30mm
- Characteristic: High quality lock cylinder, high quality lock body, high strength alloy handle, stainless steel plate.



**C-9500-S**

**C-8500B-W4** 铝合金门执手锁

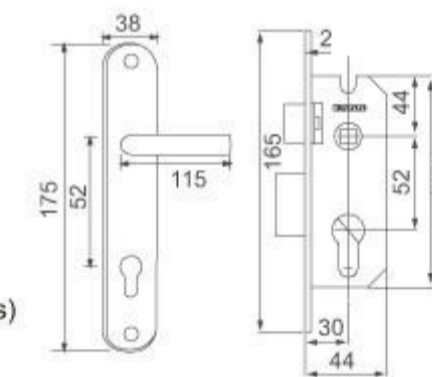
- 面饰: 喷涂
- 安装门厚: 30mm-45mm(可根据型材厚度选择)
- 中心距: 25mm
- 特点: 高质量锁芯, 高质量平开门锁体, 高强度合金压铸把手  
(可选配中心距20/30/35mm锁体或其他平开门锁体)
- Finish: Painting
- Door thickness: 30mm-45mm(Or as material thickness)
- Backset: 25mm
- Characteristic: High quality lock cylinder, high quality lock body, high strength alloy handle, stainless steel plate  
(20/30/35mm backset lock body or other lock bodies are available)



**C-8500B-W3**

**C-9500A-4** 铝合金门执手锁

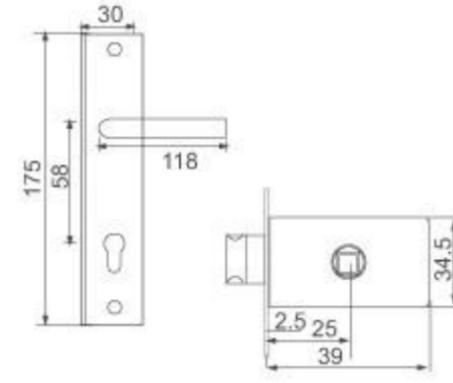
- 面饰: 光铬
- 安装门厚: 30mm-45mm(可根据型材厚度选择)
- 中心距: 30mm
- 特点: 高质量锁芯、高质量平开门锁体, 高强度合金压铸把手及挡板, 不锈钢挡板,
- Finish: CP
- Door thickness: 30mm-45mm(Or as material thickness)
- Backset: 30mm
- Characteristic: High quality lock cylinder, high quality lock body, high strength alloy handle, stainless steel plate.



**C-9500A-3**

**C-2030B** 铝合金门执手锁

- 面饰: 拉丝
- 安装门厚: 25mm-45mm (可根据型材厚度选择)
- 中心距: 25mm
- 特点: 高质量锁芯、高质量平开门锁体, 高强度合金压铸把手及挡板, 不锈钢挡板, (可选配中心距35/45mm锁体)
- Finish: SN
- Door thickness: 30mm-45mm (Or as material thickness)
- Backset: 25mm
- Characteristic: High quality lock cylinder, high quality lock body, high strength alloy handle, stainless steel plate (35/45mm backset lock body are available)



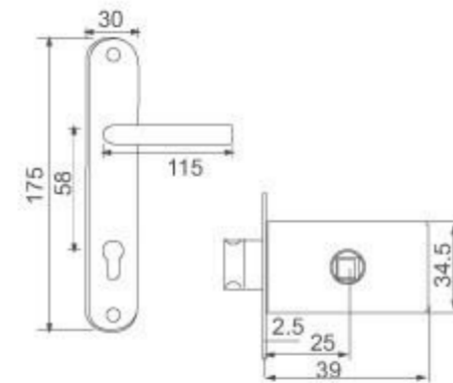
**C-2030B-SBK**  
浴室门锁



**C-2030B-BK**  
浴室门锁

**C-2030A** 铝合金门执手锁

- 面饰: 拉丝
- 安装门厚: 25mm-45mm (可根据型材厚度选择)
- 中心距: 25mm
- 特点: 高质量锁芯、高质量平开门锁体, 高强度合金压铸把手及挡板, 不锈钢挡板, (可选配中心距35/45mm锁体)
- Finish: SN
- Door thickness: 30mm-45mm (Or as material thickness)
- Backset: 25mm
- Characteristic: High quality lock cylinder, high quality lock body, high strength alloy handle, stainless steel plate (35/45mm backset lock body are available)



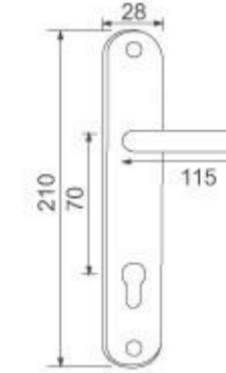
**C-2030A-SBK**  
浴室门锁



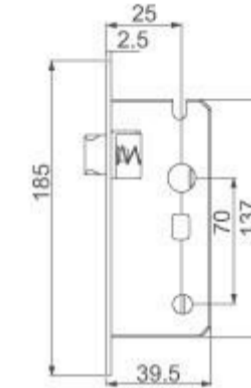
**C-2030A-BK**  
浴室门锁



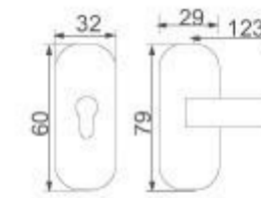
**C-70BK-25** 铝合金阳台门锁



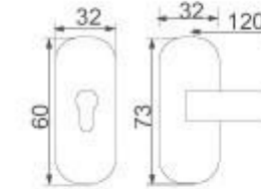
- 面饰: 喷涂
- 安装门厚: 30-40mm
- 中心距: 70x25mm
- 特点: 高质量锁体, 最新浴室设计
- Finish: Painting
- Door thickness: 30mm-40mm
- Backset: 70x25mm
- Characteristics: High quality lock body, the latest design.



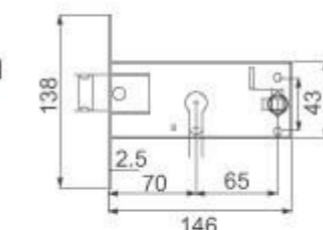
**D01** 分体执手锁



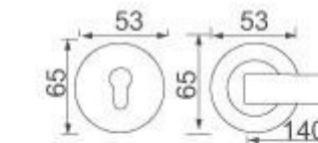
**D02** 分体执手锁



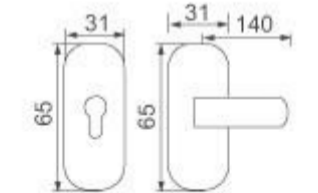
- 面饰: 喷涂
- 安装门厚: 30mm-40mm (可根据型材厚度选择)
- 中心距: 70mm
- 特点: 高质量锁芯、高质量平开门锁体, 高强度合金压铸把手及挡板, (可选配中心距90mm锁体)
- Finish: Painting
- Door thickness: 30mm-40mm (Or as material thickness)
- Backset: 70mm
- Characteristics: High quality lock cylinder, high quality lock body, high strength alloy handle and plate (90mm backset lock body is available)



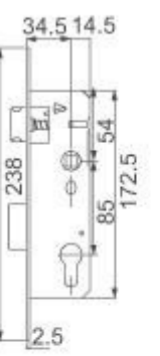
**S10** 不锈钢分体锁



**S11** 不锈钢分体锁



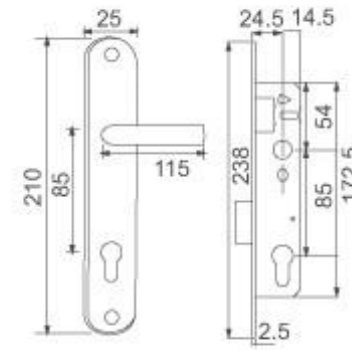
- 面饰: 拉丝
- 安装门厚: 30mm-40mm (可根据型材厚度选择)
- 中心距: 35mm
- 特点: 高质量锁芯、高质量平开门锁体, 高强度不锈钢把手及挡板, (可选配中心距25/30mm锁体或其它平开门锁体)
- Finish: SS
- Door thickness: 30mm-40mm (Or as material thickness)
- Backset: 35mm
- Characteristic: High quality lock cylinder, high quality lock body, high strength stainless steel handle and plate (25/30mm backset lock body or other lock bodies are available)





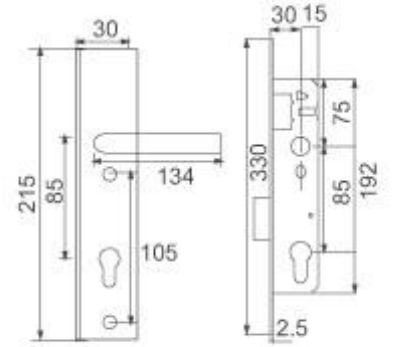
**C-B05** 铝塑门执手锁

- 面饰: 喷涂
- 安装门厚: 30mm-40mm
- 中心距: 25mm
- 特点: 高质量锁芯、高质量平开门锁体, 高强度合金压铸把手, (可选配中心距20/30/35mm锁体或其它平开门锁体)
- Finish: Painting
- Door thickness: 30mm-40mm
- Backset: 25mm
- Characteristics: High quality lock cylinder, high quality lock body, strength alloy handle (20/30/35mm body or other lock bodies are available)



**C-B09** 铝塑门执手锁

- 面饰: 喷涂
- 安装门厚: 30mm-60mm
- 中心距: 30mm
- 特点: 高质量锁芯、高质量平开门锁体, 高强度合金压铸把手,
- Finish: Painting
- Door thickness: 30mm-60mm
- Backset: 25mm
- Characteristics: High quality lock cylinder, high quality lock body, strength alloy handle

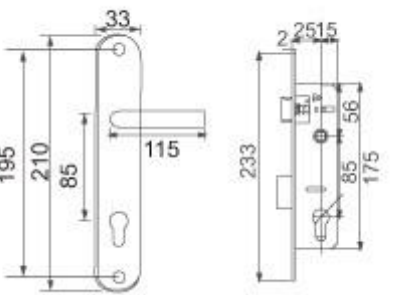


单点大锁体 多点大锁体



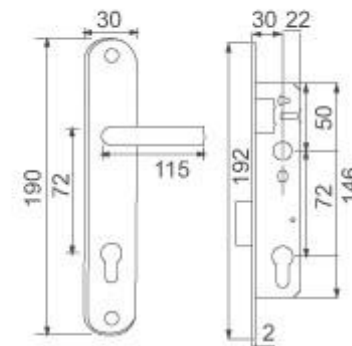
**C-B06** 铝塑门执手锁

- 面饰: 喷涂
- 安装门厚: 30mm-60mm
- 中心距: 25mm
- 特点: 高质量锁芯、高质量平开门锁体, 高强度合金压铸把手,
- Finish: Painting
- Door thickness: 30mm-60mm
- Backset: 25mm
- Characteristics: High quality lock cylinder, high quality lock body, strength alloy handle



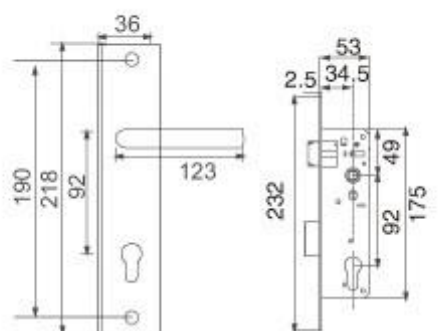
**C-20201** 塑钢型执手锁

- 面饰: 喷涂
- 安装门厚: 50mm-60mm
- 中心距: 30mm
- 特点: 高质量锁芯、高质量平开门锁体,
- Finish: Painting
- Door thickness: 50mm-60mm
- Backset: 30mm
- Characteristics: High quality lock cylinder and high quality lock body



**C-B08** 铝塑门执手锁

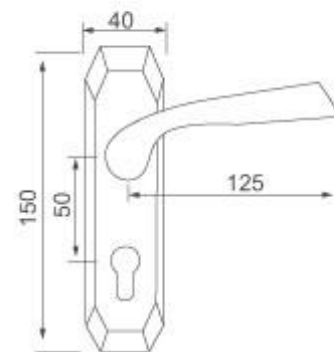
- 面饰: 喷涂
- 安装门厚: 30mm-60mm
- 中心距: 35mm
- 特点: 高质量锁芯、高质量平开门锁体, 高强度合金压铸把手,
- Finish: Painting
- Door thickness: 30mm-60mm
- Backset: 35mm
- Characteristics: High quality lock cylinder, high quality lock body, strength alloy handle





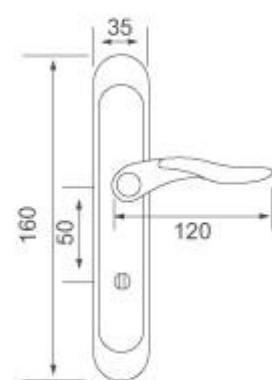
### C-5071 BK

- 面饰: 拉丝
- 安装门厚: 30mm-50mm
- 中心距: 35mm
- 特点: 高质量锁芯、高质量平开门锁体, 高强度合金压铸把手及挡板。  
(可选配中心距45mm单锁体或双舌锁体)
- Finish: SN
- Door thickness: 30mm-50mm
- Backset: 35mm
- Characteristic: High quality lock cylinder, high quality lock body, high strength alloy handle and plate  
(45mm backset lock body or double latch lock body are available)



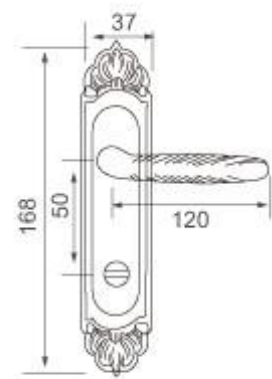
### C-5011 BK

- 面饰: 拉丝
- 安装门厚: 30mm-50mm
- 中心距: 35mm
- 特点: 高质量锁芯、高质量平开门锁体, 高强度合金压铸把手及挡板。  
(可选配中心距45mm单锁体或双舌锁体)
- Finish: SN
- Door thickness: 30mm-50mm
- Backset: 35mm
- Characteristic: High quality lock cylinder, high quality lock body, high strength alloy handle and plate  
(45mm backset lock body or double latch lock body are available)



### C-5088 BK

- 面饰: 电镀
- 安装门厚: 30mm-50mm
- 中心距: 35mm
- 特点: 高质量锁芯、高质量平开门锁体, 高强度合金压铸把手及挡板。  
(可选配中心距45mm单锁体或双舌锁体)
- Finish: Electroplating
- Door thickness: 30mm-50mm
- Backset: 35mm
- Characteristic: High quality lock cylinder, high quality lock body, high strength alloy handle and plate  
(45mm backset lock body or double latch lock body are available)





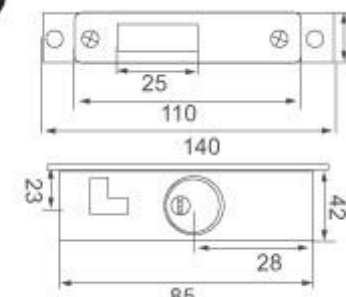
追求完美永无止境  
**ENDLESS**  
Pursuit Of Perfection



**SNJ-85**

使你佳牌85铝合金门锁

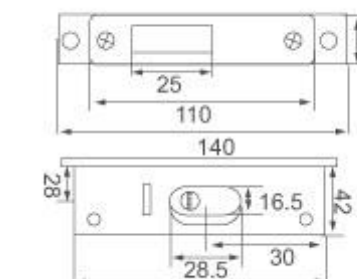
- 安装门厚: 40mm-50mm
- 中心距: 23mm
- Door thickness: 40mm-50mm
- Backset: 23mm



**SNJ-84**

使你佳牌84铝合金门锁

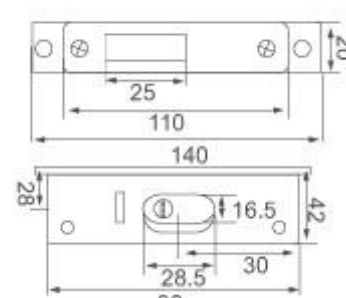
- 安装门厚: 30mm-50mm
- 中心距: 28mm
- Door thickness: 30mm-50mm
- Backset: 28mm



**C-84**

大队长牌84铝合金门锁

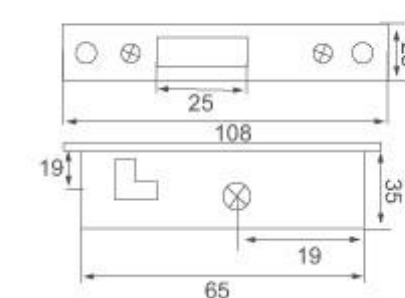
- 安装门厚: 30mm-50mm
- 中心距: 28mm
- Door thickness: 30mm-50mm
- Backset: 28mm



**JG-99**

佳固牌99铝合金门锁

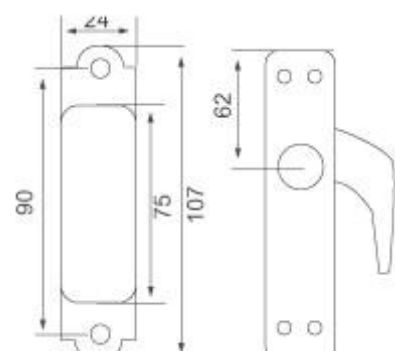
- 安装门厚: 30mm-40mm
- 中心距: 19mm
- Door thickness: 30mm-40mm
- Backset: 19mm



**C-938-A/B**

大队长牌938B铝合金移门锁

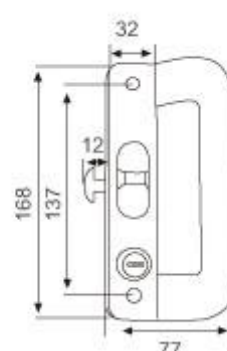
- 安装门厚: A: 28mm-38mm
- B: (塑钢型38mm-48mm)
- 中心距: 15mm
- Door thickness: 28mm-38mm
- (38mm-48mm available)
- Backset: 15mm



**C-A88**

双页推拉门锁

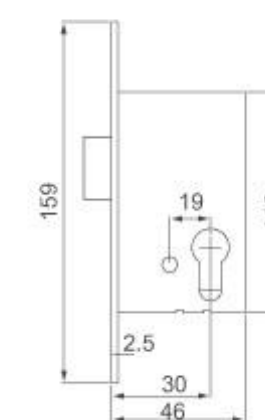
- 安装门厚: 50mm-60mm
- 中心距: 16mm
- Door thickness: 50mm-60mm
- Backset: 16mm



**C-30D**

大队长牌C-30D方舌锁体

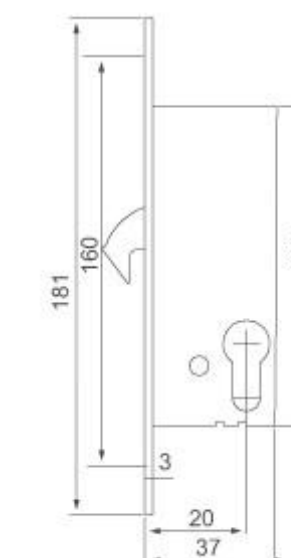
- 安装门厚: 30mm-60mm
- 中心距: 30mm
- Door thickness: 30mm-60mm
- Backset: 30mm



**C-LB20E**

大队长牌LB20锌钩/钢钩

- 安装门厚: 30mm-60mm
- 中心距: 20mm
- Door thickness: 30mm-60mm
- Backset: 20mm

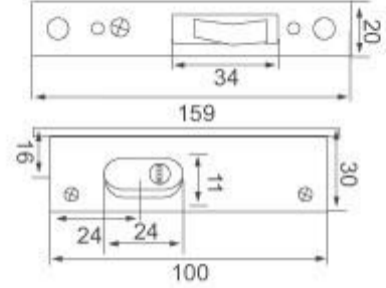




**C-5586-B**

大队长牌5586B型铁闸门锁

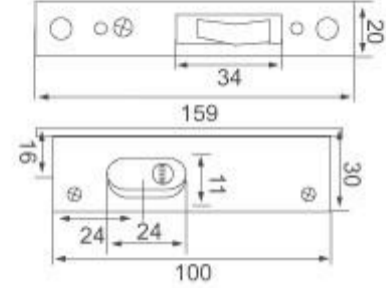
- 安装门厚: 30mm-42mm
- 中心距: 16mm
- Door thickness: 30mm-42mm
- Backset: 16mm



**C-5586-I**

大队长牌5586型铁闸门锁(铁钩)

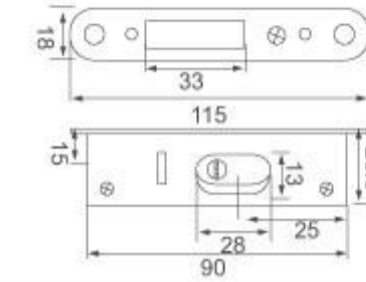
- 安装门厚: 30mm-42mm
- 中心距: 16mm
- Door thickness: 30mm-42mm
- Backset: 16mm



**SNJ-554**

使你佳牌554型铝合金门锁

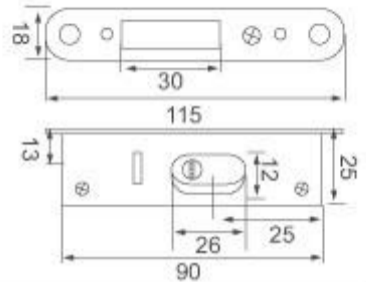
- 安装门厚: 40mm-50mm
- 中心距: 15mm
- Door thickness: 40mm-50mm
- Backset: 15mm



**C-554-L**

大队长牌554长芯型铝合金门锁

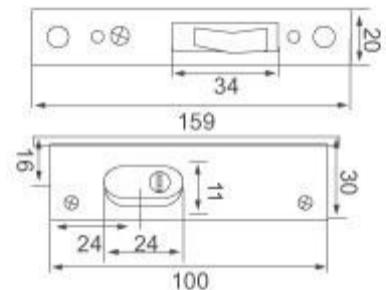
- 安装门厚: 40mm-50mm
- 中心距: 13mm
- Door thickness: 40mm-50mm
- Backset: 13mm



**C-5586-IS**

大队长牌5586B联动铁闸门锁(铁钩)

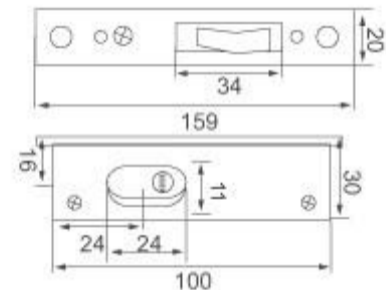
- 安装门厚: 30mm-42mm
- 中心距: 16mm
- Door thickness: 30mm-42mm
- Backset: 16mm



**C-5586-BS**

大队长牌5586型联动铁闸门锁

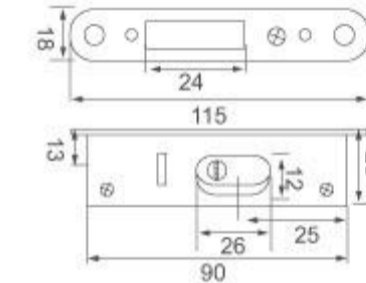
- 安装门厚: 30mm-42mm
- 中心距: 16mm
- Door thickness: 30mm-42mm
- Backset: 16mm



**C-554**

大队长牌554型铝合金门锁

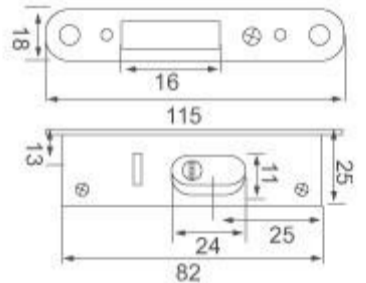
- 安装门厚: 30mm-42mm
- 中心距: 13mm
- Door thickness: 30mm-42mm
- Backset: 13mm



**HR-554**

华日牌554型铝合金门锁

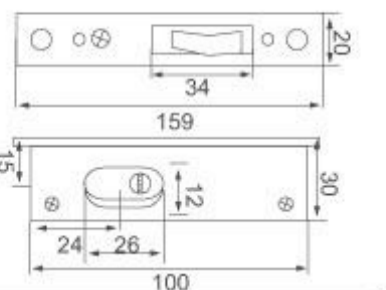
- 安装门厚: 30mm-42mm
- 中心距: 13mm
- Door thickness: 30mm-42mm
- Backset: 13mm



**SNJ-5586**

使你佳牌5586铁闸门锁

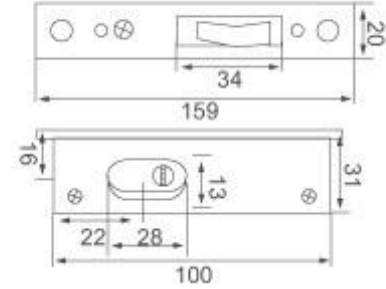
- 安装门厚: 30mm-42mm
- 中心距: 15mm
- Door thickness: 30mm-42mm
- Backset: 15mm



**C-5586-E**

大队长牌5586E型门锁

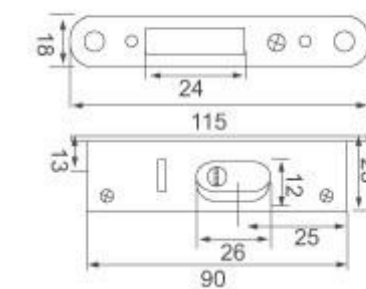
- 安装门厚: 40mm-50mm
- 中心距: 16mm
- Door thickness: 40mm-50mm
- Backset: 16mm



**C-554-0**

大队长牌554型单面锁

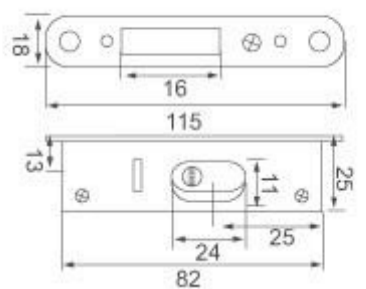
- 安装门厚: 20mm-30mm
- 中心距: 13mm
- Door thickness: 20mm-30mm
- Backset: 13mm



**HR-554-0**

华日牌554型单面锁

- 安装门厚: 20mm-30mm
- 中心距: 13mm
- Door thickness: 20mm-30mm
- Backset: 13mm

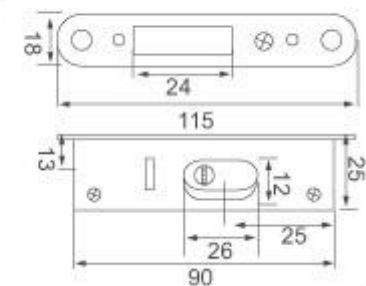




**C-554-S**

大队长牌554型联动门锁

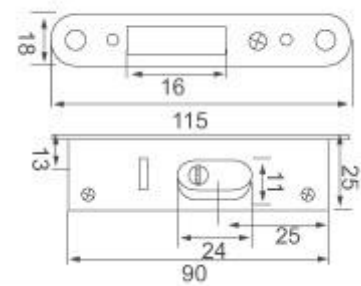
- 安装门厚: 30mm-42mm
- 中心距: 13mm
- Door thickness: 30mm-42mm
- Backset: 13mm



**HR-554-S**

华日牌554型联动门锁

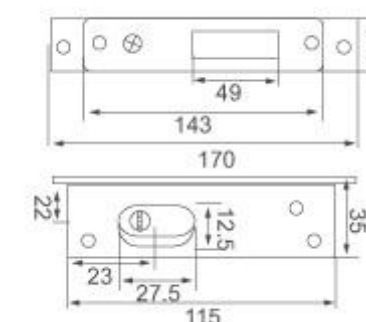
- 安装门厚: 30mm-42mm
- 中心距: 13mm
- Door thickness: 30mm-42mm
- Backset: 13mm



**M-41054 (4123)**

41054(4123)铝合金门锁

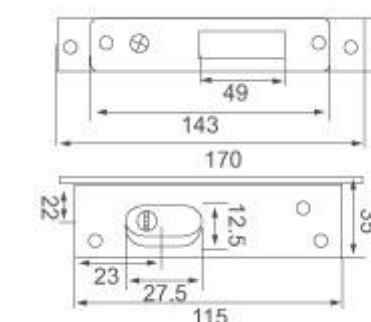
- 安装门厚: 40mm-50mm
- 中心距: 22mm
- Door thickness: 40mm-50mm
- Backset: 22mm



**M-41055 (5123)**

41055(5123)铝合金门锁

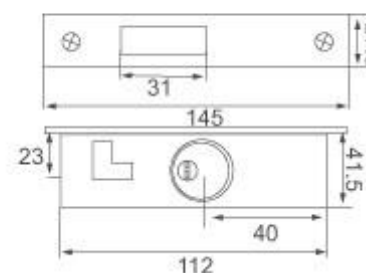
- 安装门厚: 40mm-50mm
- 中心距: 22mm
- Door thickness: 40mm-50mm
- Backset: 22mm



**C-41085**

大队长牌41085铝合金门锁

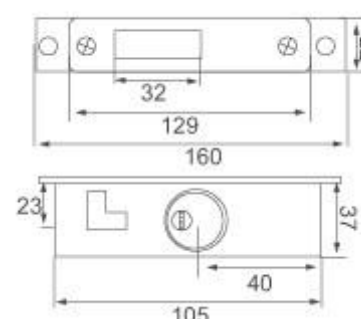
- 安装门厚: 38mm-44mm
- 中心距: 23mm
- Door thickness: 38mm-44mm
- Backset: 23mm



**C-4186**

大队长牌4186铝合金门锁

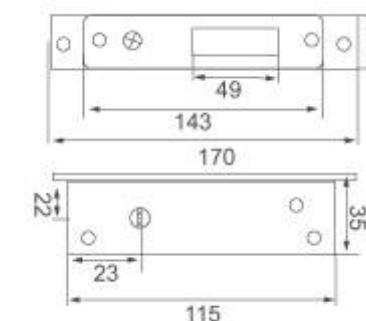
- 安装门厚: 38mm-44mm
- 中心距: 23mm
- Door thickness: 38mm-44mm
- Backset: 23mm



**M-1862**

1862铝合金门锁

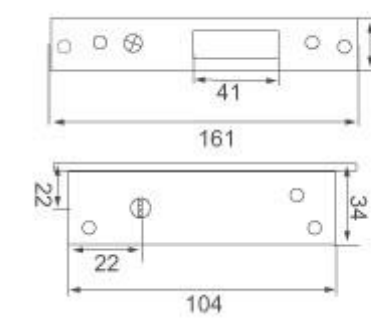
- 安装门厚: 30mm-50mm
- 中心距: 22mm
- Door thickness: 30mm-50mm
- Backset: 22mm



**M-1684**

1684铝合金门锁

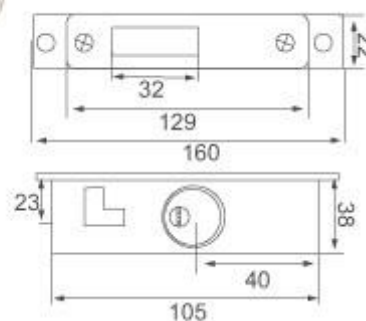
- 安装门厚: 30mm-50mm
- 中心距: 22mm
- Door thickness: 30mm-50mm
- Backset: 22mm



**C-4186电匙**

大队长牌4186铝合金门锁

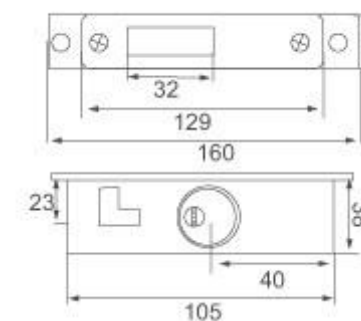
- 安装门厚: 38mm-44mm
- 中心距: 23mm
- Door thickness: 38mm-44mm
- Backset: 23mm



**C-4186长头**

大队长牌4186铝合金门锁

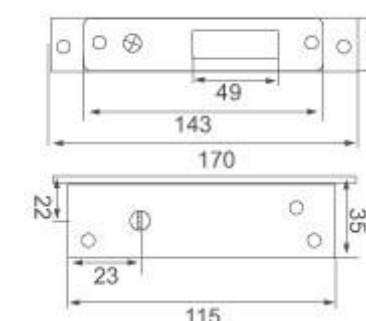
- 安装门厚: 38mm-55mm
- 中心距: 23mm
- Door thickness: 38mm-55mm
- Backset: 23mm



**M-1863**

1863铝合金门锁

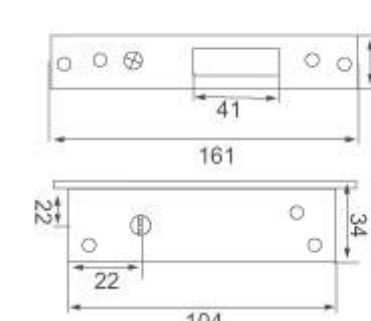
- 安装门厚: 30mm-50mm
- 中心距: 22mm
- Door thickness: 30mm-50mm
- Backset: 22mm



**M-1683**

1683铝合金门锁

- 安装门厚: 30mm-50mm
- 中心距: 22mm
- Door thickness: 30mm-50mm
- Backset: 22mm



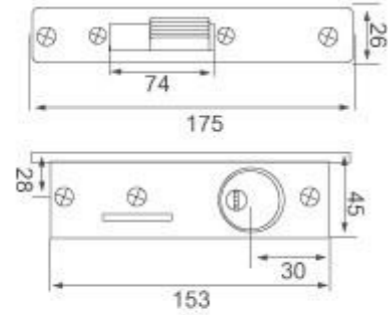




**M-5128**

5128铝合金门锁

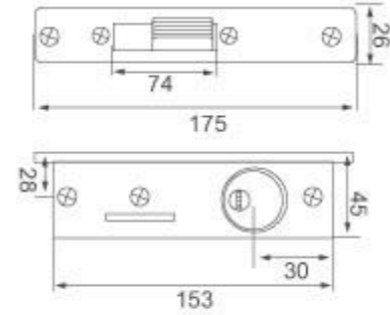
- 安装门厚: 35mm-45mm
- 中心距: 28mm
- Door thickness: 35mm-45mm
- Backset: 28mm



**M-4128**

4128铝合金门锁

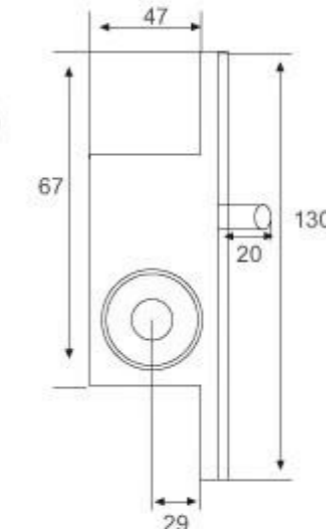
- 安装门厚: 35mm-45mm
- 中心距: 28mm
- Door thickness: 35mm-45mm
- Backset: 28mm



**C-329D圆舌**

圆锁舌平头锁

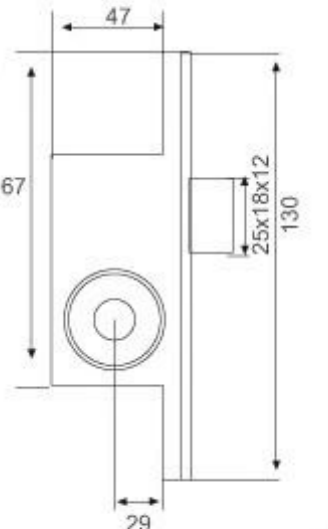
- 安装门厚: A: 40mm-50mm B: 50mm-60mm
- 中心距: 29mm
- Door thickness: A: 40mm-50mm B: 50mm-60mm
- Backset: 29mm



**C-329D方舌**

方锁舌平头锁

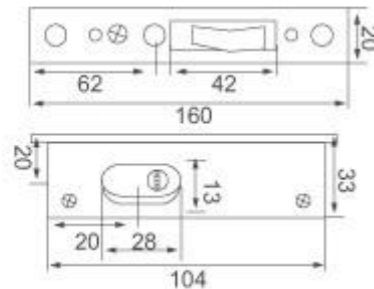
- 安装门厚: A: 40mm-50mm B: 50mm-60mm
- 中心距: 29mm
- Door thickness: A: 40mm-50mm B: 50mm-60mm
- Backset: 29mm



**C-5588-E**

大队长牌5588E型门锁

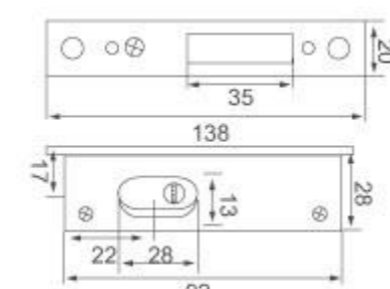
- 安装门厚: 40mm-50mm
- 中心距: 20mm
- Door thickness: 40mm-50mm
- Backset: 20mm



**M-43020**

43020铝合金门锁

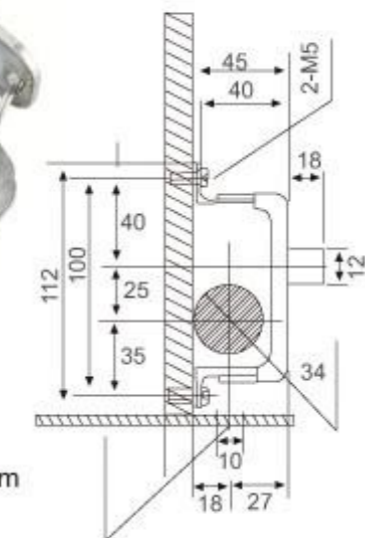
- 安装门厚: 40mm-50mm
- 中心距: 17mm
- Door thickness: 40mm-50mm
- Backset: 17mm



**C-300D**

圆舌地锁单开

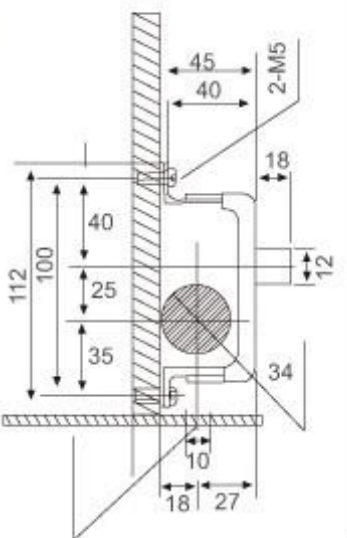
- 安装门厚: A: 40mm-50mm B: 50mm-60mm
- 中心距: 27mm
- Door thickness: A: 40mm-50mm B: 50mm-60mm
- Backset: 27mm



**C-300D**

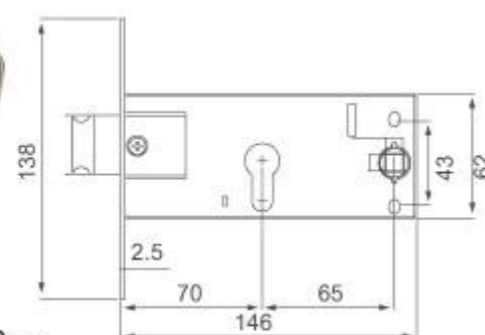
圆舌地锁双开

- 安装门厚: A: 40mm-50mm B: 50mm-60mm
- 中心距: 27mm
- Door thickness: A: 40mm-50mm B: 50mm-60mm
- Backset: 27mm



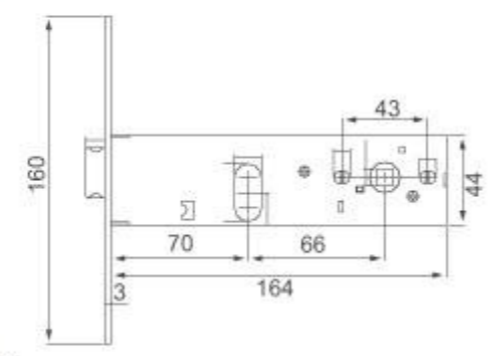
**C-7065-B**

- 安装门厚: 30mm-40mm
- 中心距: 70mm
- Door thickness: 30mm-40mm
- Backset: 70mm



**C-7066-B**

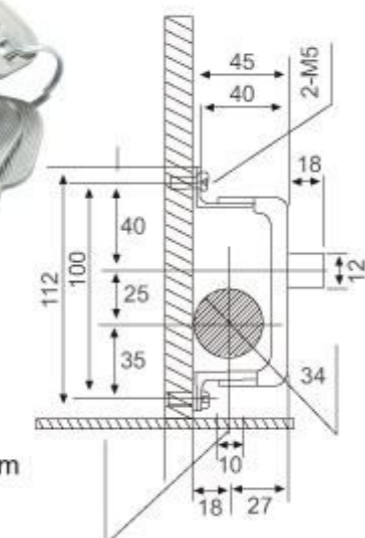
- 安装门厚: 40mm-50mm
- 中心距: 70mm
- Door thickness: 40mm-50mm
- Backset: 70mm



**C-301D**

方舌地锁单开

- 安装门厚: A: 40mm-50mm B: 50mm-60mm
- 中心距: 27mm
- Door thickness: A: 40mm-50mm B: 50mm-60mm
- Backset: 27mm



**C-301D**

方舌地锁双开

- 安装门厚: A: 40mm-50mm B: 50mm-60mm
- 中心距: 27mm
- Door thickness: A: 40mm-50mm B: 50mm-60mm
- Backset: 27mm

