




WEIDA
ARCHITECTURE HARDWARE

RIM TYPE PANIC EXIT DEVICE

DK1510P/S



UL500P/S

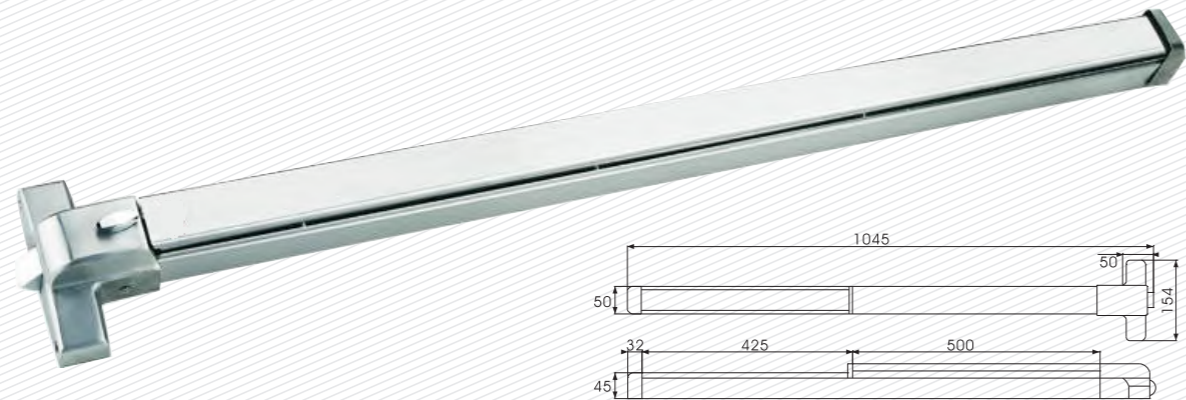


DK1710P/S



NOTED: P means Metal painted ,S means Sus304 material

Full length touch bar

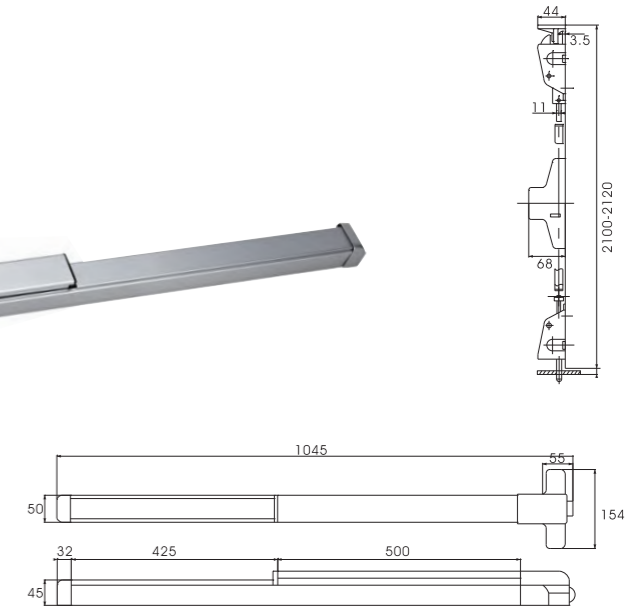
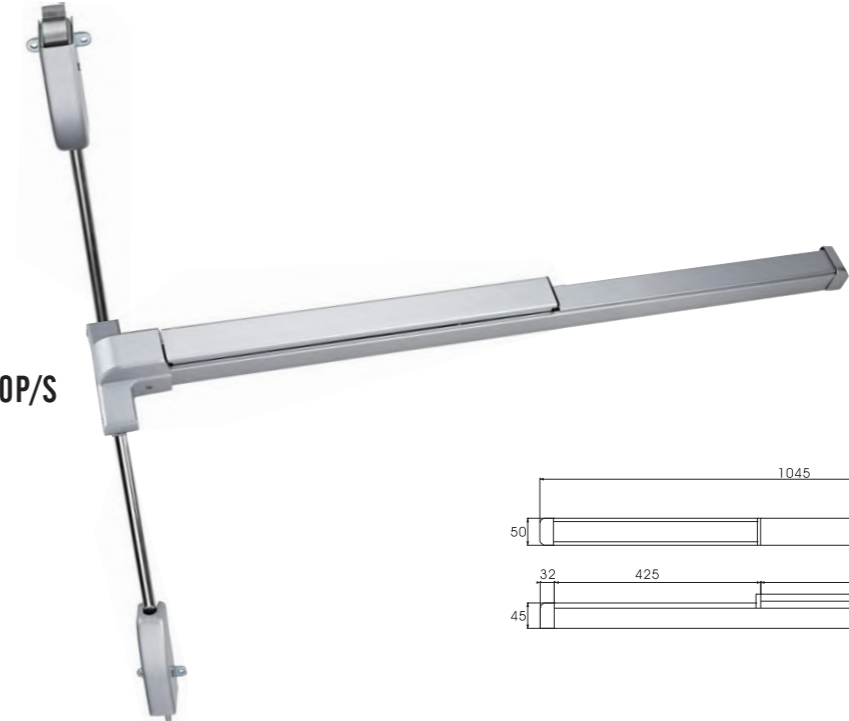


Accessories

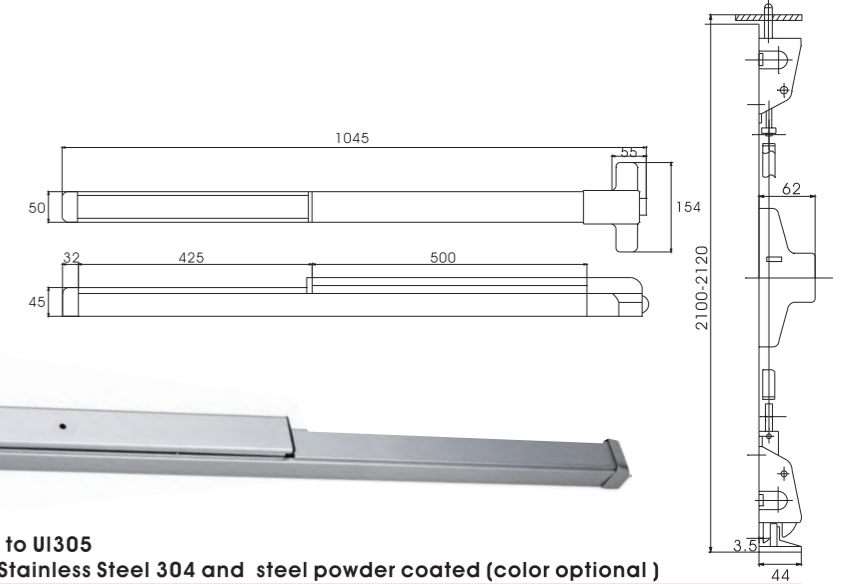
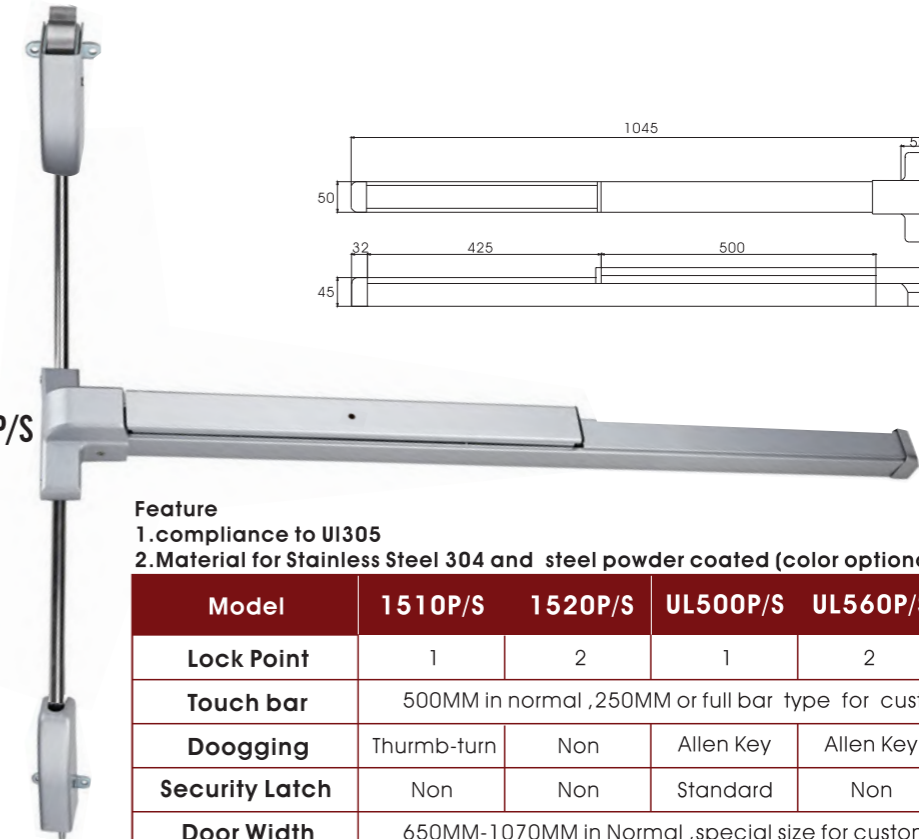


VERTICAL ROD TYPE PANIC EXIT DEVICE

DK-1520P/S



UL- 560P/S



Feature

1.compliance to UI305

2.Material for Stainless Steel 304 and steel powder coated (color optional)

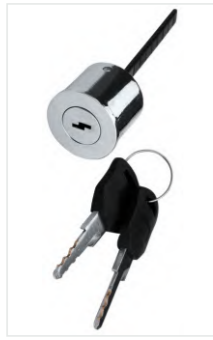
Model	1510P/S	1520P/S	UL500P/S	UL560P/S	1710P/S
Lock Point	1	2	1	2	1
Touch bar	500MM in normal ,250MM or full bar type for customer request				
Dooging	Thurmb-turn	Non	Allen Key	Allen Key	Non
Security Latch	Non	Non	Standard	Non	Standard
Door Width	650MM-1070MM in Normal ,special size for customer request				
Door Height	2200MM in Normal .special size for customer request				

Double Door Holder DK 25

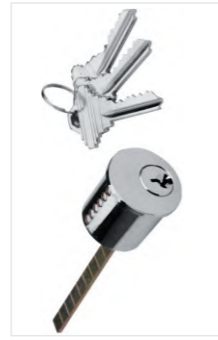


Double Door Holder, is designed for use with PanicExit Locks to provide locking of the inactive leaf on an out swinging double door. Release of the active leaf disengages the DK-25 allowing the inactive leaf to open freely. Length x Deep x High: 181x57x73mm.

OUTSIDE TRIM LOCK TOUCH BAR TYPE



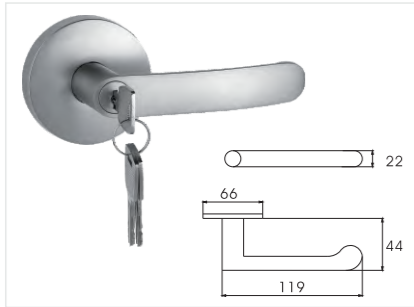
Model: C1
Two brass keys
Door width max for 90MM



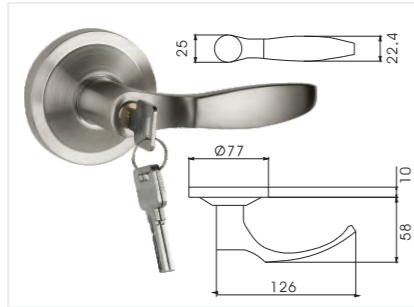
Model: G2
3 brass keys and brass cylinder
Schlage cylinder and keys
Door width max for 90MM



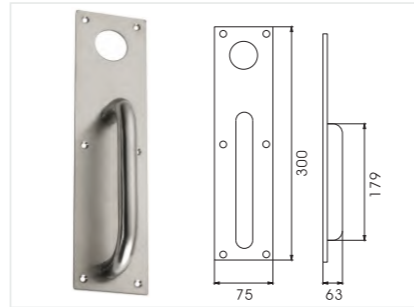
Model: C3
3 brass keys and brass cylinder
Door width max for 90MM



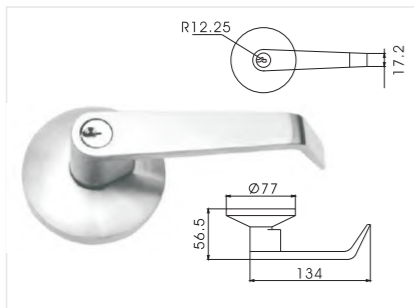
Model: DK-016
Material for Zinc Alloy
3 brass keys
Door width 50MM in normal
Finish: SN, SC and painted color optional



Model: DK-026
Material for Zinc Alloy
3 brass computer keys and brass cylinder
Door width 50MM in normal
Finish: SN, SC and painted color optional



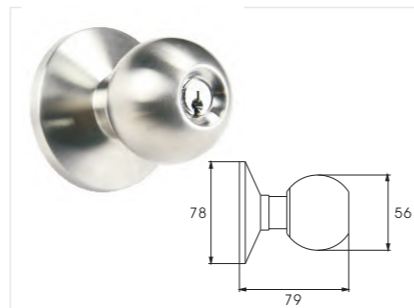
Model: DK-001S
Material for Stainless steel 304
Fix with C1, C2, C3.



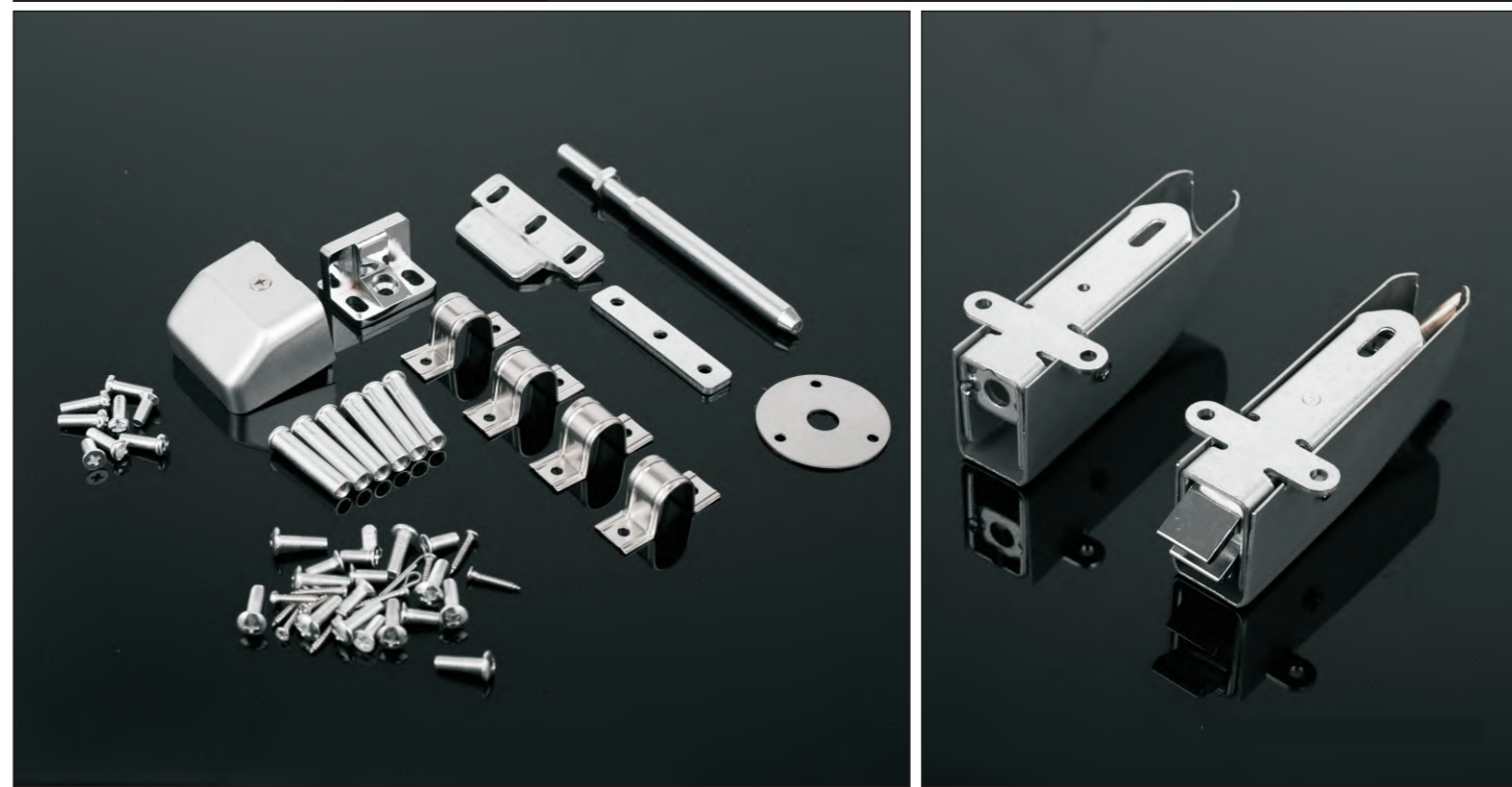
Model: DK-017P/S
Material for Zinc Alloy or Stainless steel 304
3 brass keys and brass cylinder
Schlage cylinder and keys
Door width 50MM in normal
Finish: US26D or Stainless steel



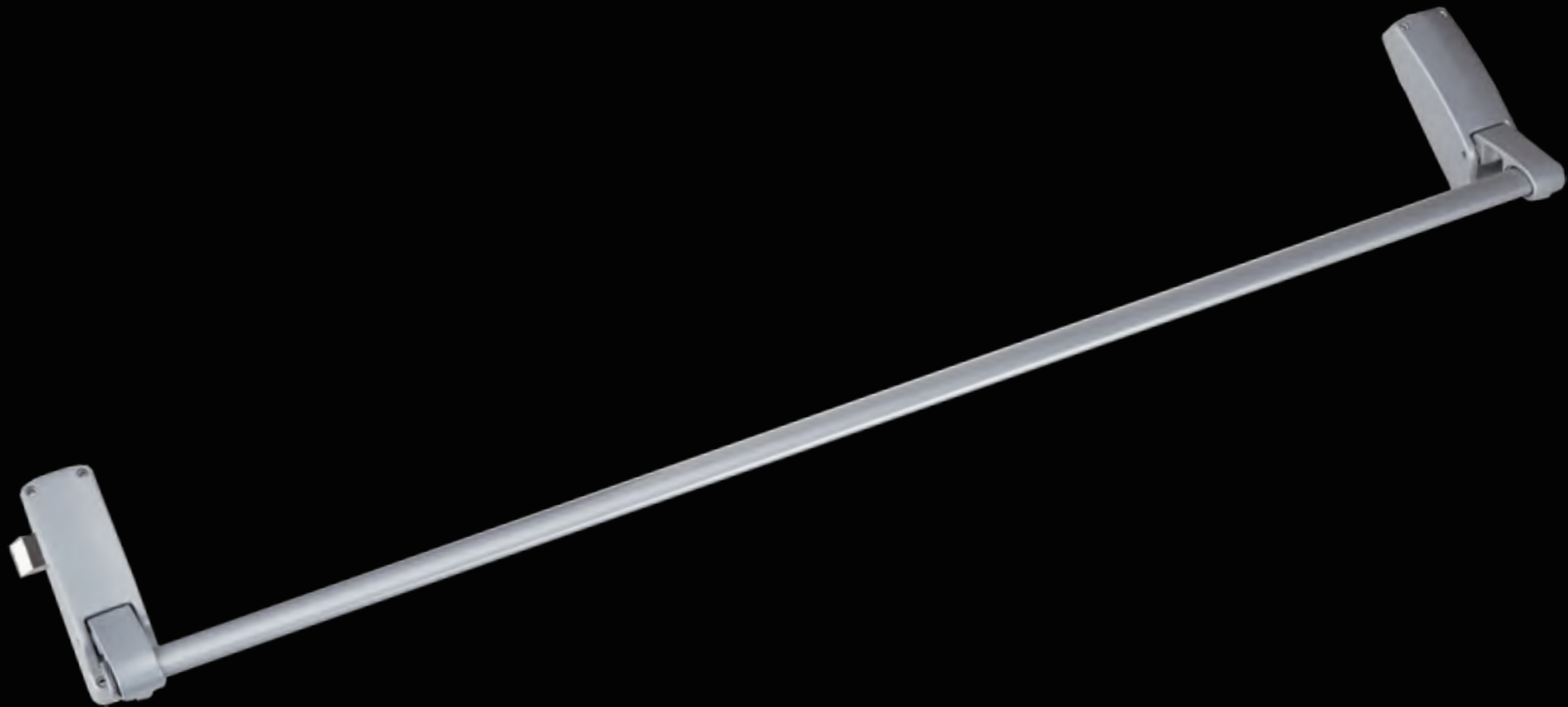
Model: DK-006P/S
Clutch function
Material for Zinc Alloy or Stainless steel 304
3 brass keys and brass cylinder
Schlage cylinder and keys
Door width 50MM in normal
Finish: US26D or Stainless steel



Model: DK-005S
Clutch function
Knob trim lock
Material for Stainless steel 304
3 brass keys and brass cylinder
Schlage cylinder and keys
Door width 50MM in normal
Finish: Stainless steel 304

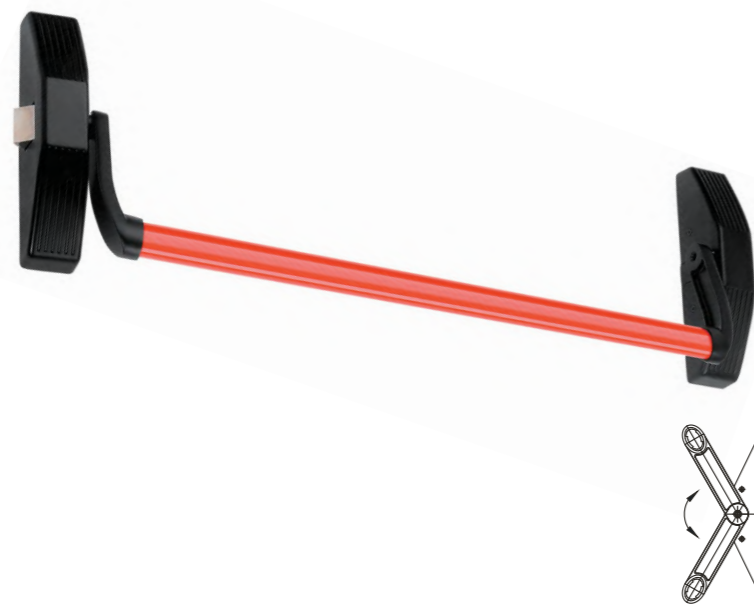


WEI DA  hardware



**PANIC EXIT DEVICE
PUSH BAR TYPE**

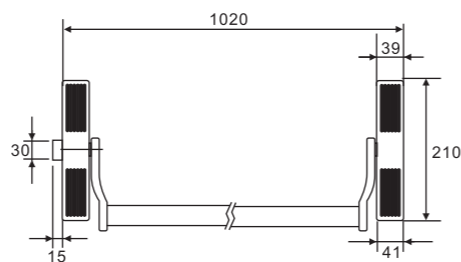
DK-1300 SERIES



DK-1310 Rim type

Feature:

1. One point lock
2. Material: Zinc Alloy
3. No Handed
4. Horizontal bar standard : 900MM
5. Color: Painted optional
6. Door width: Max for 1020MM

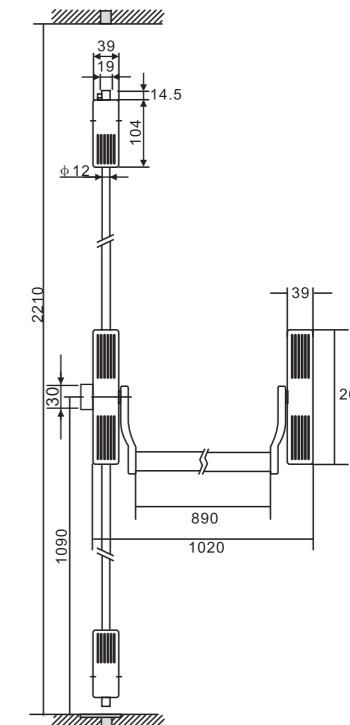
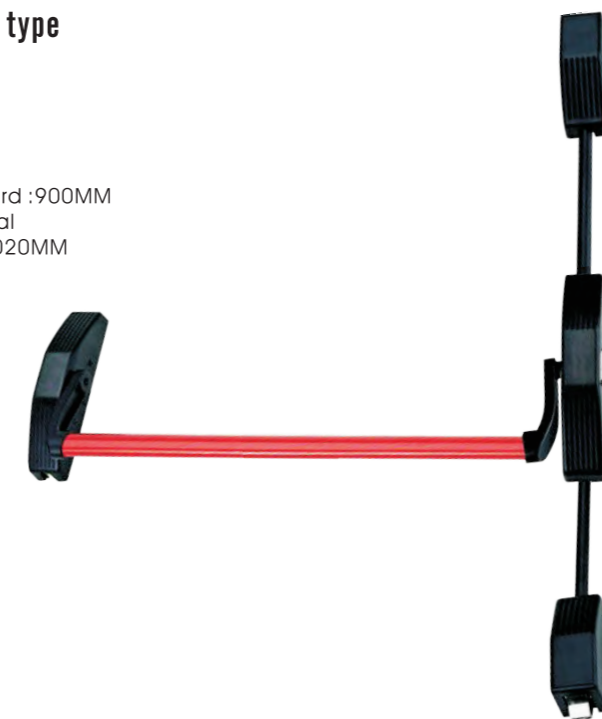


DK-1300 SERIES

DK-1330 Vertical type

Feature:

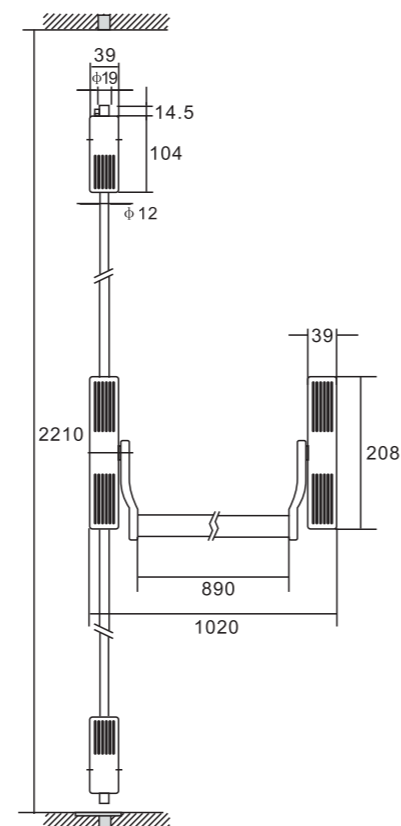
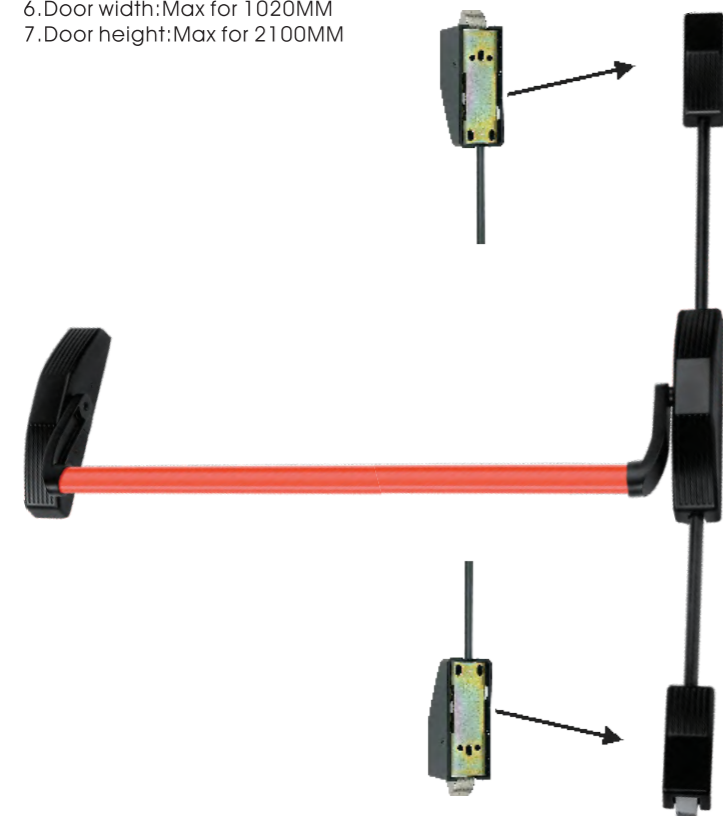
1. Three point lock
2. Material: Zinc Alloy
3. No Handed
4. Horizontal bar standard : 900MM
5. Color: Painted optional
6. Door width: Max for 1020MM



DK-1320 Vertical type

Feature:

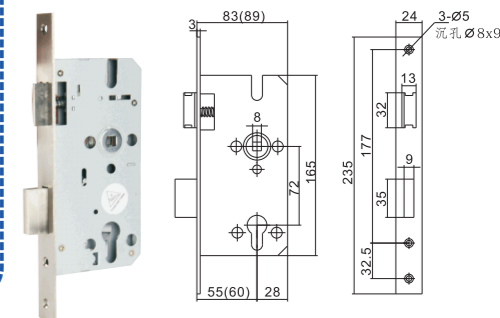
1. Two points lock
2. Material: Zinc Alloy
3. No Handed
4. Horizontal bar standard : 900MM
5. Color: Painted optional
6. Door width: Max for 1020MM
7. Door height: Max for 2100MM



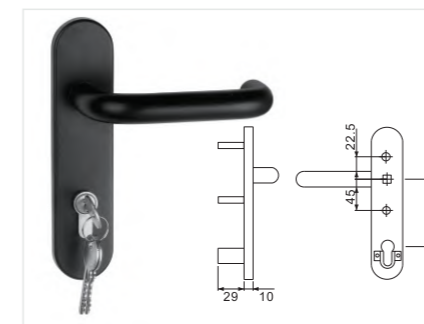
DK-1300 Mortise type

Feature:

1. Work with mortise lock body
2. Material: Zinc Alloy
3. No Handed
4. Horizontal bar standard : 900MM
5. Color: Painted optional
6. Door width: Max for 1020MM
7. Door height: Max for 2100MM

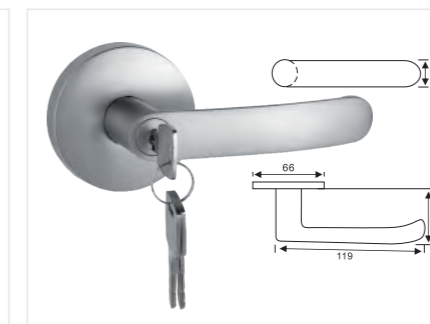


Outside trim lock for DK 1300 series



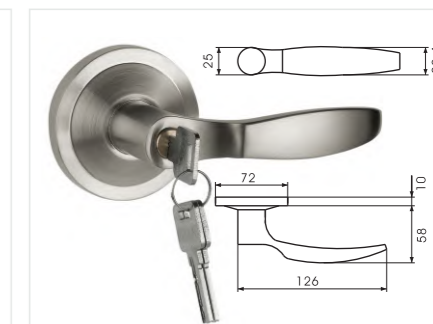
Model:DK-015

Material: Metal painted
3 brass keys and brass cylinder
No handed
Door width: Max for 80MM



Model:DK-016S

Material: Zinc Alloy
3 brass keys
No handed
Door width: 45-50MM

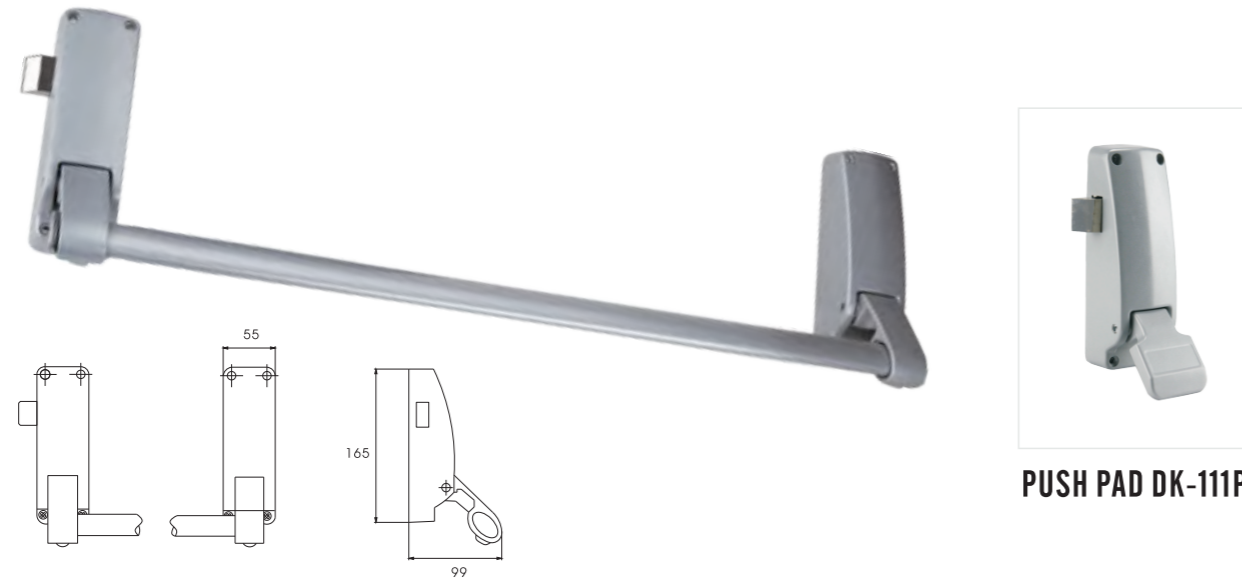


Model:DK-026S

Material: Zinc Alloy
3 brass computer keys and brass cylinder
No handed
Door width: 45-50MM

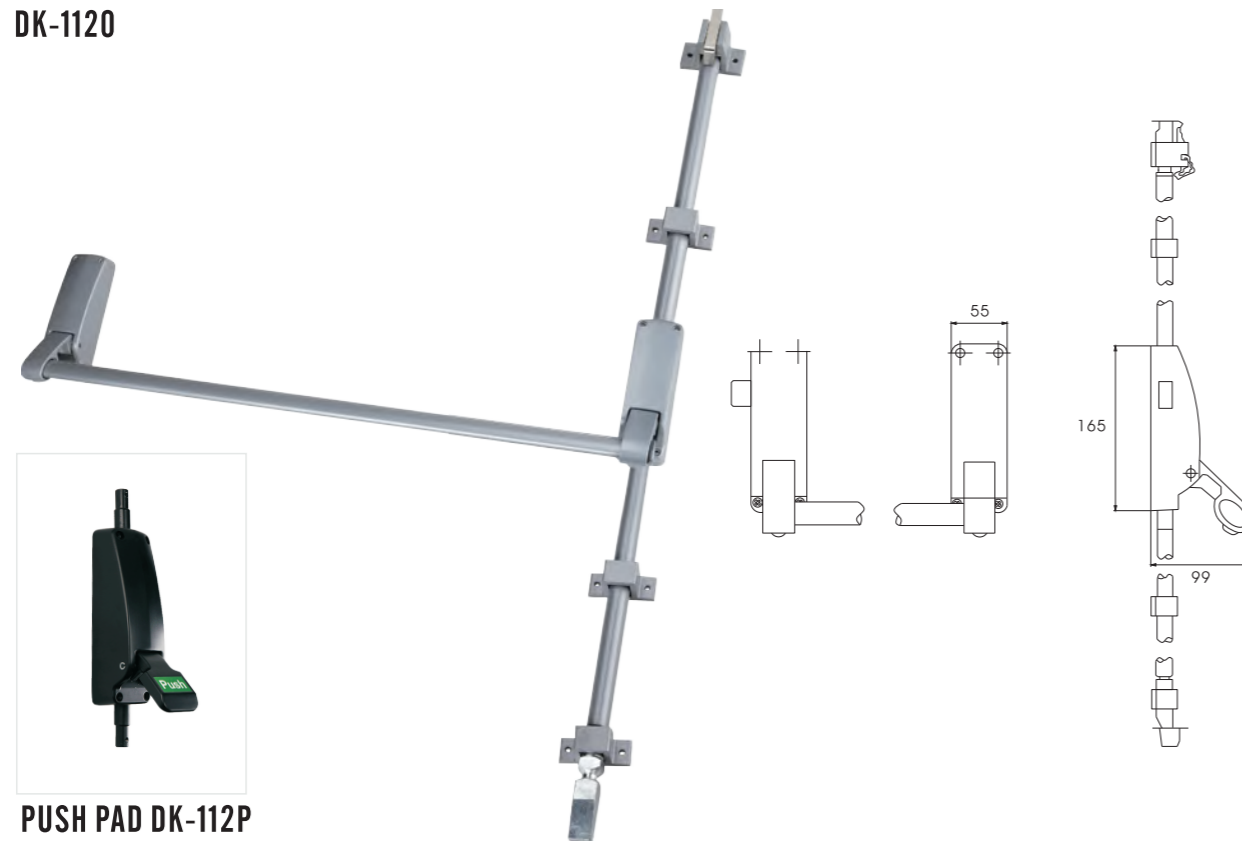
DK-1100 SERIES

DK-1110



PUSH PAD DK-111P

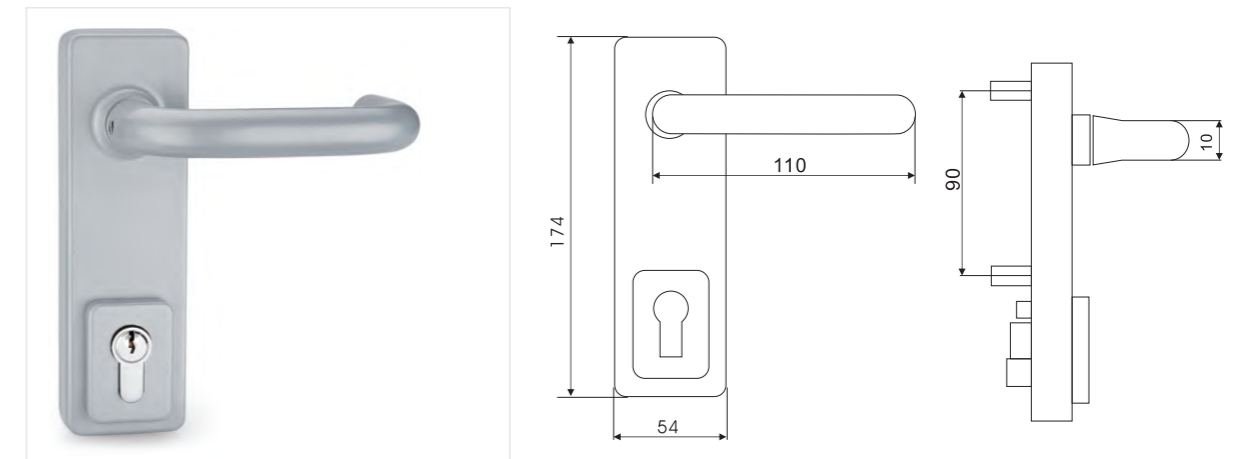
DK-1120



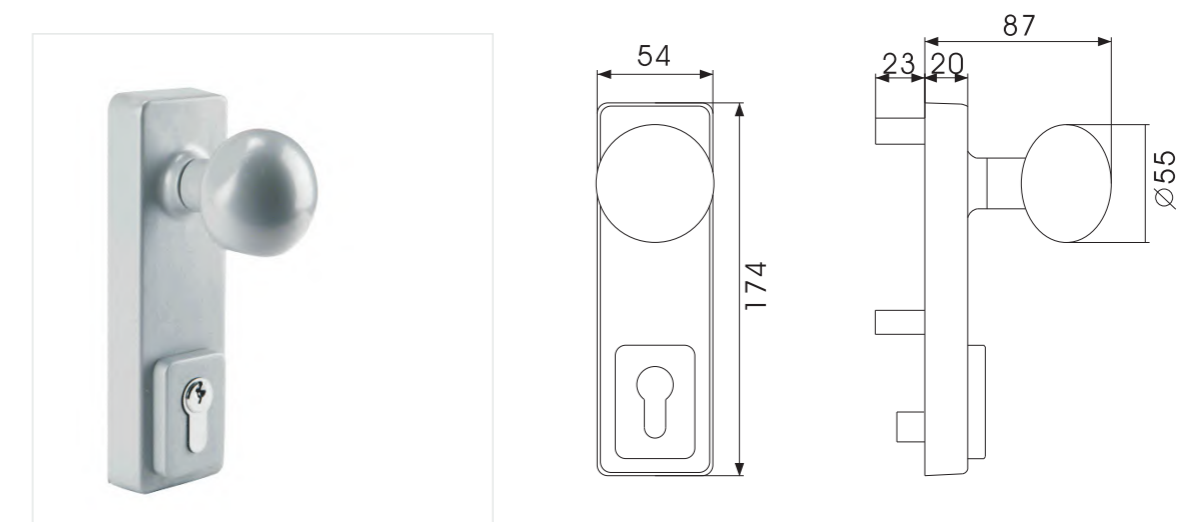
PUSH PAD DK-112P

OUTSIDE TRIM LOCK FOR Dk1100 SERIES

DK-011LE: Level trim lock



DK-011KE: Knob trim lock



Feature:

1. Work with DK-1110, DK-1120, DK-111P and DK-112P
2. Suit for door width max for 80MM
3. Brass cylinder and 3 brass keys
4. No handed
5. Material for Aluminum
6. Color optional

Feature

1. No handed
2. Material: Aluminum
3. Color is optional

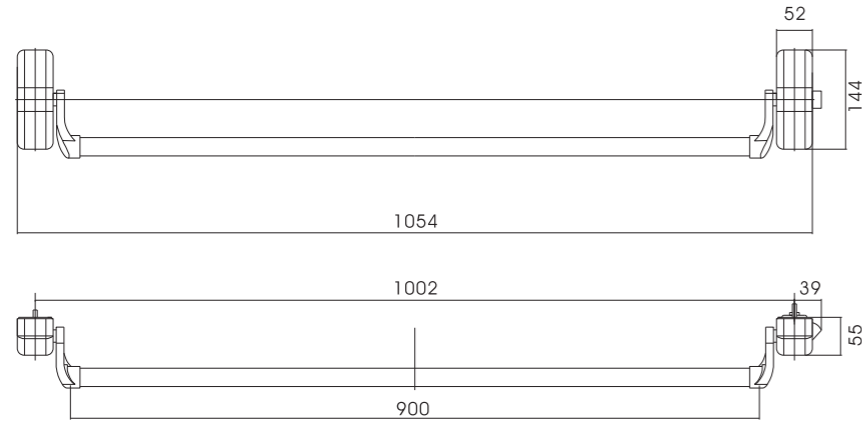
Model	DK-1100	DK-111P	DK-1120	DK-112P
Lock Point	1	1	2	2
Door Width	Max for 1150MM			
Door Height	Max for 250MM			

SUS304 MATERIAL PUSH BAR TYPE

DK-350S Rim type

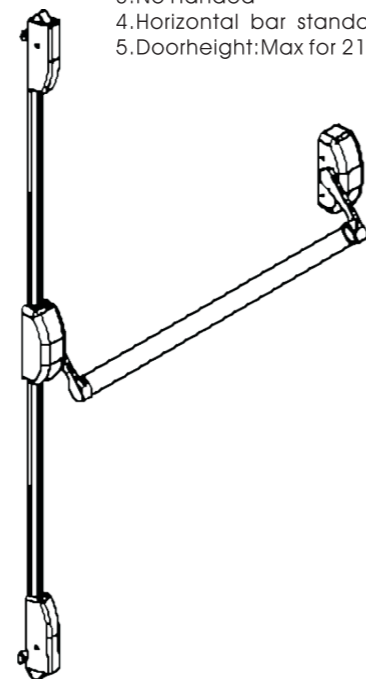
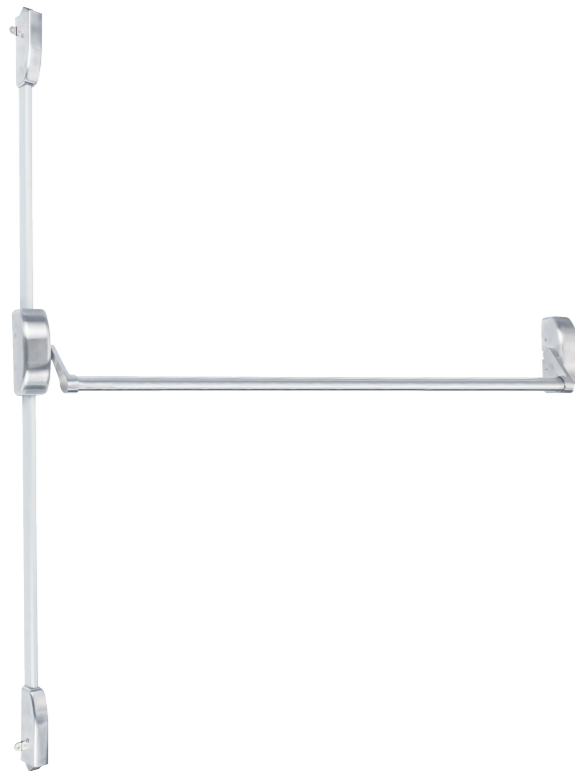


DK-350 SERIES(1 point)



- Feature:**
1. One point lock ,stainless steel 304 material latch
 2. Material:stainless 304 material
 3. No Handed
 4. Horizontal bar standard 900MM

DK-360S Vertical type



- Feature:**
1. Two point lock
 2. Material:stainless 304 material
 3. No Handed
 4. Horizontal bar standard:900MM
 5. Doorheight:Max for 2100MM in standard

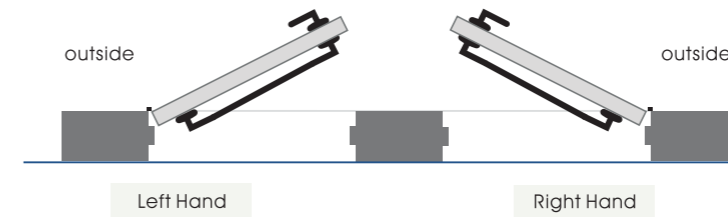
ECONOMY TYPE PRESS TYPE BAR



Left Hand type: 300-P-L

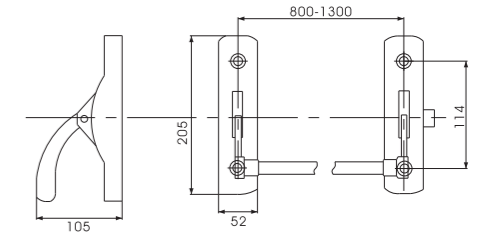
Right Hand type: 300-P-R

HOW TO TELL THE HAND OF DOOR



DK 300 type

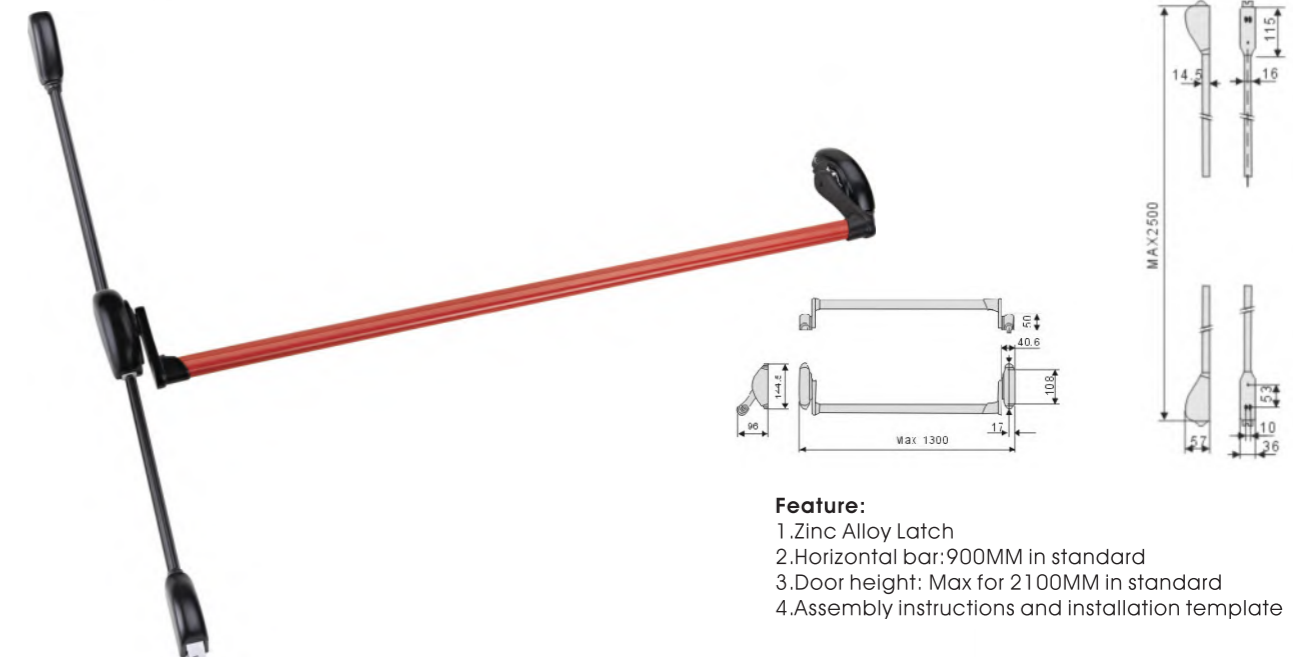
- Economy type, Ideal for warehouse, factories project.
- Slight Pressure on the device touch bar will retract latch for exit
- Standard Length for push rod: 900 mm, Max 1200 or shorter Length upon request
- Handed: DK-300-L for left hand door. DK-300-R for right hand door.
- Powder Coating finish for mechanism device, Stainless Steel Push Rod.



DK-1210 type



DK-1220 type



- Feature:**
1. Zinc Alloy Latch
 2. Horizontal bar:900MM in standard
 3. Door height: Max for 2100MM in standard
 4. Assembly instructions and installation template