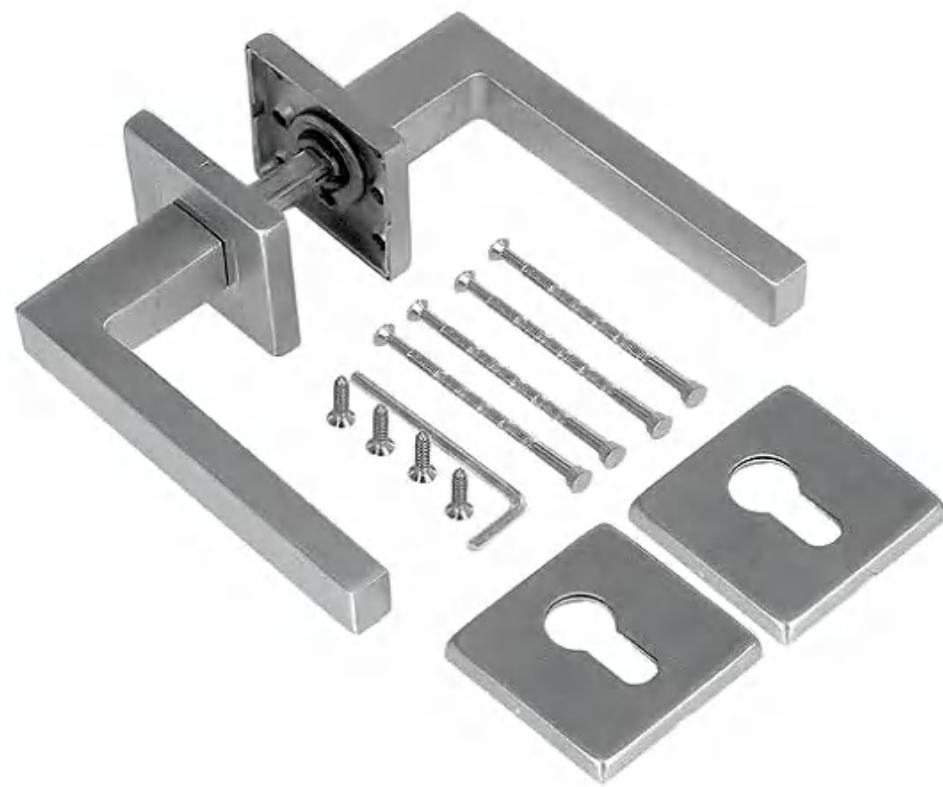


# WEIDA HARDWARE.,CO



# Stainless Steel Door Handle



51mm Round Cover Series Specification:

	Standard	Other options
Stainless steel material grade:	SS 304	SS201/SS316
Handle tube diameter :	19mm	20mm/22mm
Handle tube thickness :	0.8mm	1.0mm/1.2mm
Handle insert :	Steel nickle plate	Aluminum/Brass
Handle dimension :	Height 57mm x Length 135mm	
Cover size :	51x10.5x0.8mm	
Under base:	Plastic base with wooden screws	
SS Surface finish:	Satin	Polish/PVD
Door thickness:	38-43mm	

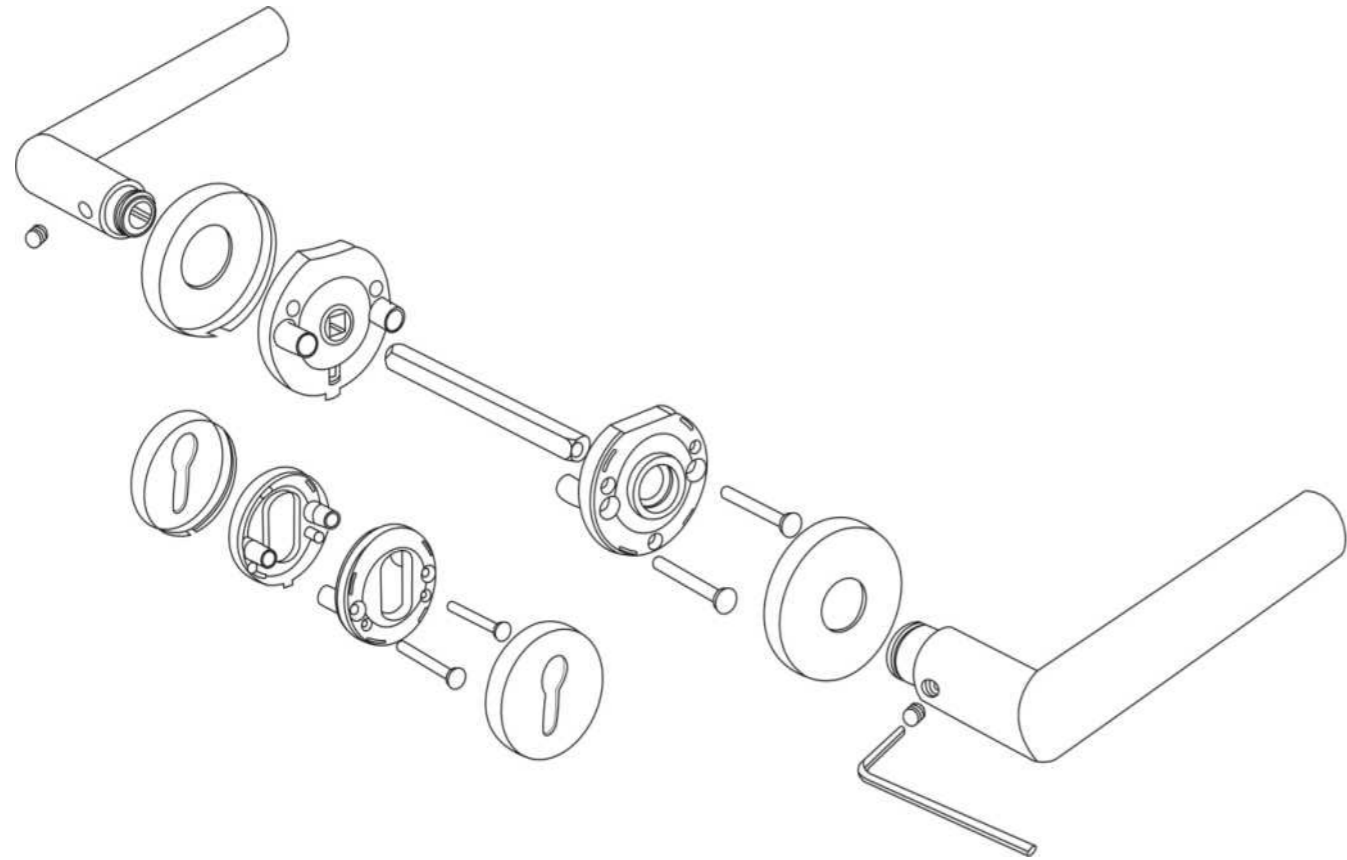
# Stainless Steel Door Handle



51mm Round Cover Series Specification:

	Standard	Other options
Stainless steel material grade:	SS 304	SS201/SS316
Handle tube diameter :	19mm	20mm/22mm
Handle tube thickness :	0.8mm	1.0mm/1.2mm
Handle insert :	Steel nickle plate	Aluminum/Brass
Handle dimension :	Height 57mm x Length 135mm	
Cover size :	51x10.5x0.8mm	
Under base:	Plastic base with counter-sunk screws	
SS Surface finish:	Satin	Polish/PVD
Door thickness:	38-43mm	

# Stainless Steel Door Handle



# Stainless Steel Door Handle



# Stainless Steel Door Handle



53mm Round Cover Series Specification:

	Standard	Other options
Stainless steel material grade:	SS 304	SS201/SS316
Handle tube diameter :	19mm	20mm/22mm
Handle tube thickness :	0.8mm	1.0mm/1.2mm
Handle Neck:	Steel nickle plate	Aluminum/Brass
Handle dimension :	Height 57mm x Length 135mm	
Cover size :	53x9x0.8mm	53x8x0.8mm
Under base No lugs:	Six hexagonal holes	Four hexagonal holes
Surface finish:	Satin	Polish/PVD
Door thickness:	38-43mm	

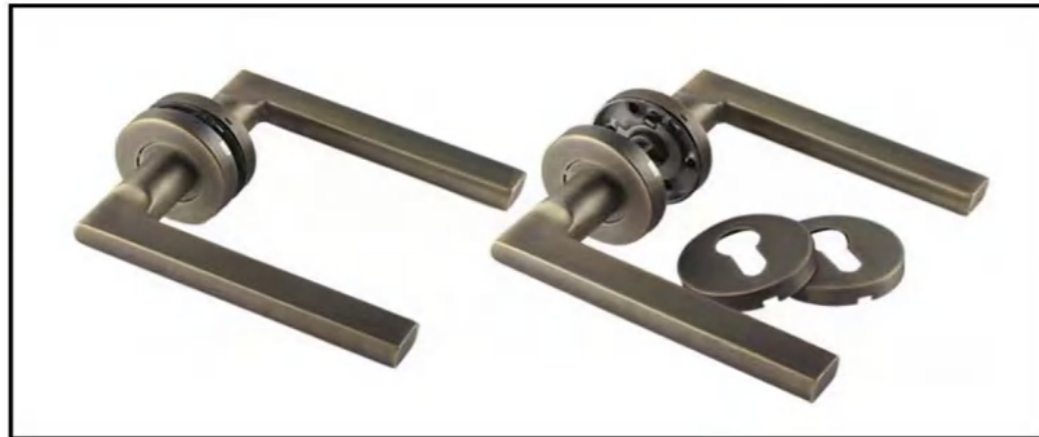
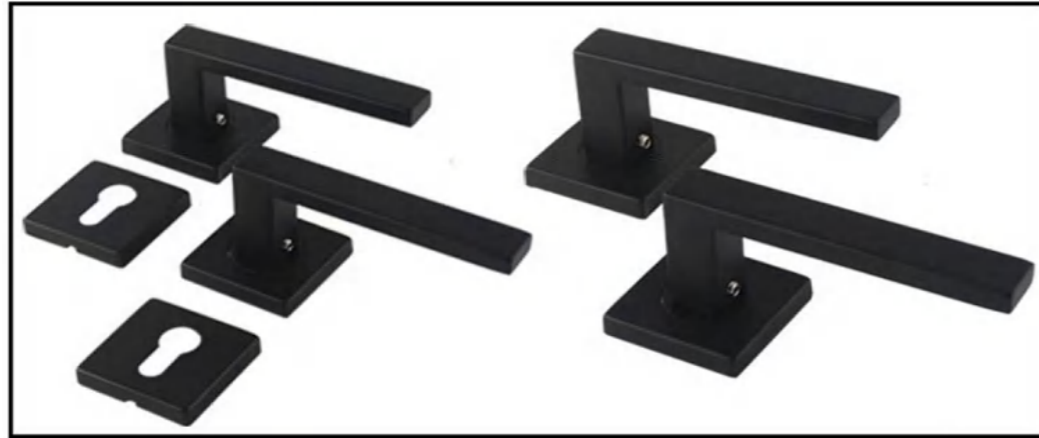
# Stainless Steel Door Handle



53mm Round Cover Series Specification:

	Standard	Other options
Stainless steel material grade:	SS 304	SS201/SS316
Handle tube diameter :	19mm	20mm/22mm
Handle tube thickness :	0.8mm	1.0mm/1.2mm
Handle Neck:	Steel nickle plate	Aluminum/Brass
Handle dimension :	Height 57mm x Length 135mm	
Cover size :	53x9x0.8mm	53x8x0.8mm
Under base No lugs:	Six hexagonal holes	Four hexagonal holes
Surface finish:	Satin	Polish/PVD
Door thickness:	38-43mm	

## Stainless Steel Door Handle



## Stainless Steel Door Handle



### 65mm Oval Cover Series Specification:

	Standard	Other options
Stainless steel material grade:	SS 304	SS201/SS316
Handle tube diameter :	19mm	20mm/22mm
Handle tube thickness :	0.8mm	1.0mm/1.2mm
Handle insert:	Steel nickle plate	Aluminum/Brass
Handle dimension :	Height 57mm x Length 135mm	
Cover size :	65x31x10x0.8mm	
Surface finish:	Satin	Polish/PVD
Door thickness:	38-43mm	

# Stainless Steel Door Handle



53mm Square Cover Series Specification:

	Standard	Other options
Stainless steel material grade:	SS 304	SS201/SS316
Handle tube diameter :	19mm	20mm/22mm
Handle tube thickness :	0.8mm	1.0mm/1.2mm
Handle insert:	Steel nickle plate	Aluminum/Brass
Handle dimension :	Height 57mm x Length 135mm	
Cover size :	53x53x8x0.8mm	
Under base type:	Round screw hole with lug	
Surface finish:	Satin	Polish/PVD
Door thickness:	38-43mm	

# Stainless Steel Door Handle



53mm Square Cover Series Specification:

	Standard	Other options
Stainless steel material grade:	SS 304	SS201/SS316
Handle tube diameter :	19mm	20mm/22mm
Handle tube thickness :	0.8mm	1.0mm/1.2mm
Handle insert:	Steel nickle plate	Aluminum/Brass
Handle dimension :	Height 57mm x Length 135mm	
Cover size :	53x53x8x0.8mm	
Under base type:	Round screw hole with lug	
Surface finish:	Satin	Polish/PVD
Door thickness:	38-43mm	

# Stainless Steel Door Handle



53mm Square Cover Series Specification:

	Standard	Other options
Stainless steel material grade:	SS 304	SS201/SS316
Handle tube diameter :	19mm	20mm/22mm
Handle tube thickness :	0.8mm	1.0mm/1.2mm
Handle insert:	Steel nickle plate	Aluminum/Brass
Handle dimension :	Height 57mm x Length 135mm	
Cover size :	53x53x8x0.8mm	
Under base type:	Six hexagonal holes	
Surface finish:	Satin	Polish/PVD
Door thickness:	38-43mm	

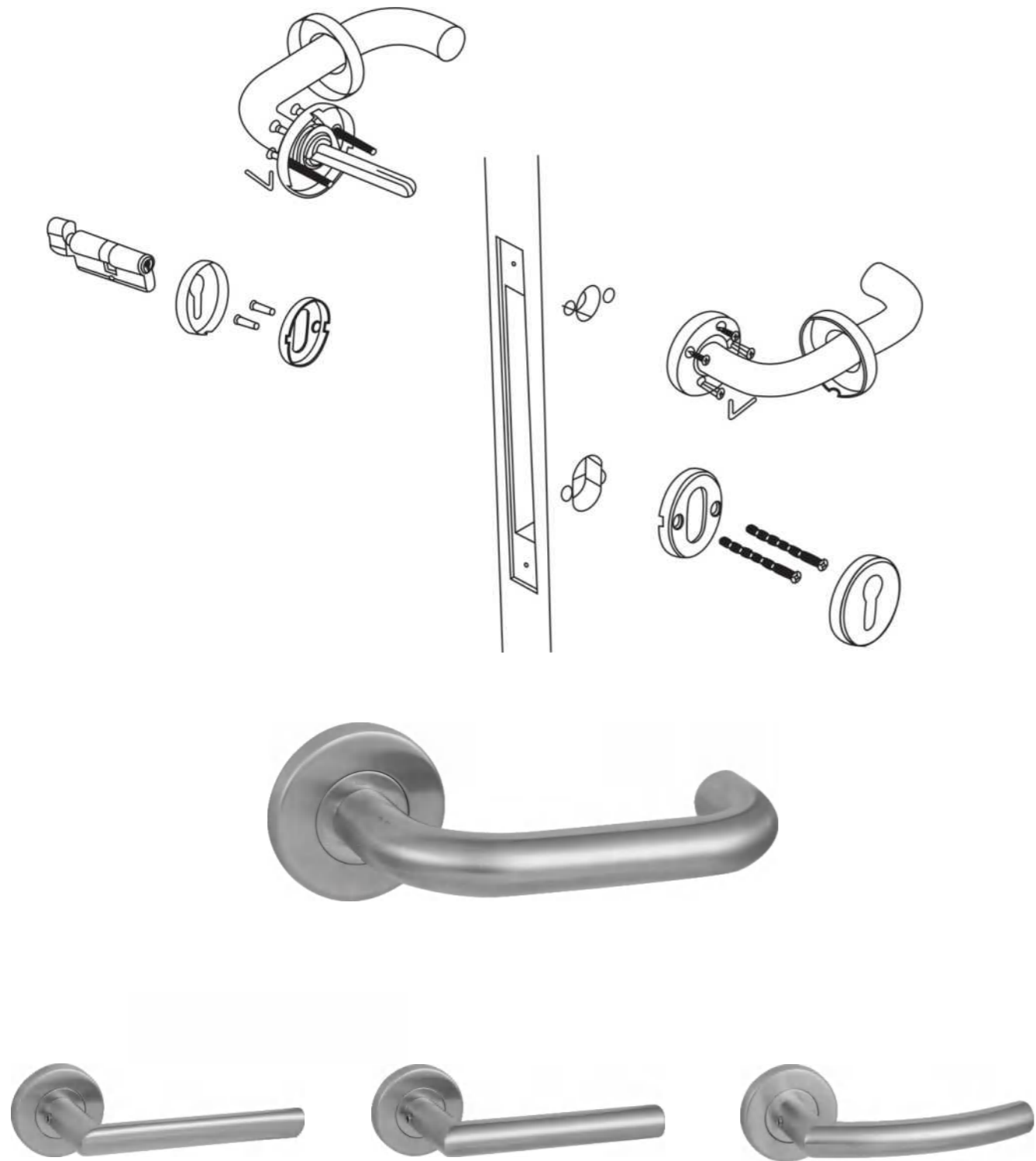
# Stainless Steel Door Handle



53mm Square Cover Series Specification:

	Standard	Other options
Stainless steel material grade:	SS 304	SS201/SS316
Handle tube diameter :	19mm	20mm/22mm
Handle tube thickness :	0.8mm	1.0mm/1.2mm
Handle insert:	Steel nickle plate	Aluminum/Brass
Handle dimension :	Height 57mm x Length 135mm	
Cover size :	53x53x8x0.8mm	
Under base type:	Six hexagonal holes	
Surface finish:	Satin	Polish/PVD
Door thickness:	38-43mm	

# Stainless Steel Door Handle



# Stainless Steel Door Handle





## Stainless Steel Door Handle



55mm Round Cover Series Specification:

	Standard	Other options
Stainless steel material grade:	SS 304	SS201/SS316
Handle tube diameter :	19mm	20mm/22mm
Handle tube thickness :	0.8mm	1.0mm/1.2mm
Handle insert :	Steel nickle plate	Aluminum/Brass
Handle dimension :	Height 57mm x Length 135mm	
Cover size :	55x8x0.8mm	
Under base:	Plastic with two hexagonal holes	
SS Surface finish:	Satin	Polish/PVD
Door thickness:	38-43mm	

## Stainless Steel Door Handle



55mm Round Cover Series Specification:

	Standard	Other options
Stainless steel material grade:	SS 304	SS201/SS316
Handle tube diameter :	19mm	20mm/22mm
Handle tube thickness :	0.8mm	1.0mm/1.2mm
Handle insert :	Steel nickle plate	Aluminum/Brass
Handle dimension :	Height 57mm x Length 135mm	
Cover size :	55x8x0.8mm	
Under base:	Plastic with two hexagonal holes	
SS Surface finish:	Satin	Polish/PVD
Door thickness:	38-43mm	

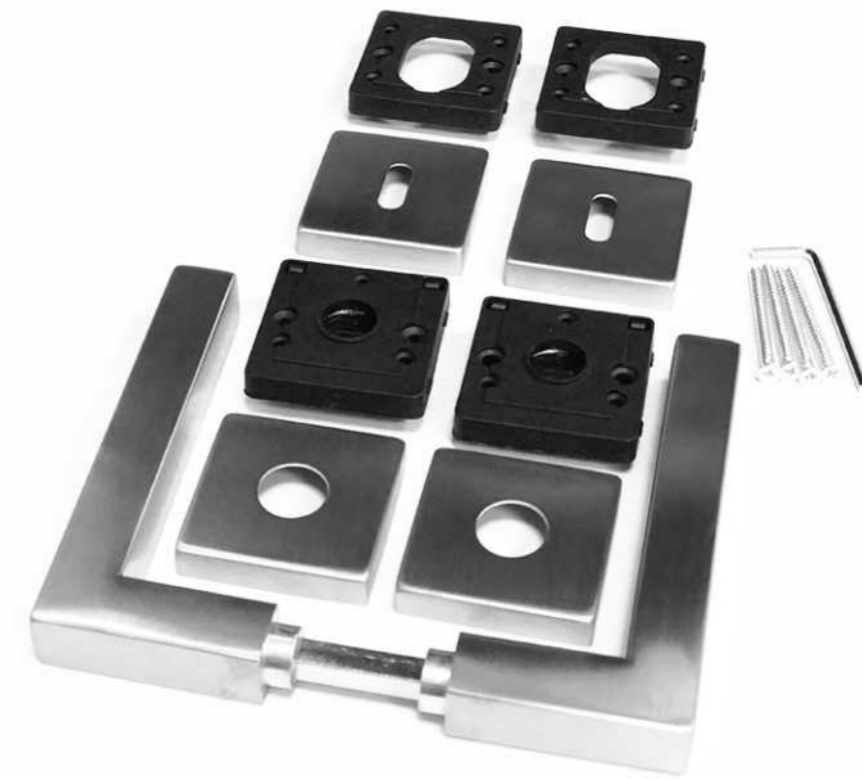
## Stainless Steel Door Handle



55mm Cover Series Specification:

	Standard	Other options
Stainless steel material grade:	SS 304	SS201/SS316
Handle tube diameter :	19mm	20mm/22mm
Handle tube thickness :	0.8mm	1.0mm/1.2mm
Handle insert:	Steel nickle plate	Aluminum/Brass
Handle dimension :	Height 57mm x Length 135mm	
Cover size :	55x8x0.8mm	
Under base :	Plastic with two hexagonal holes	
Surface finish:	Satin	Polish/PVD
Door thickness:	38-43mm	

## Stainless Steel Door Handle



53mm Square Plastic Base Series Specification:

	Standard	Other options
Stainless steel material grade:	SS 304	SS201/SS316
Handle tube diameter :	19x19mm	20x20mm/10x20mm
Handle tube thickness :	0.8mm	1.0mm/1.2mm
Handle Neck:	Steel nickle plate	Aluminum/Brass
Handle dimension :	Height 57mm x Length 135mm	
Cover size :	53x53x10x0.8mm	
Under base :	Plastic with big hole and small hole	
Surface finish:	Satin	Polish/PVD
Door thickness:	38-43mm	

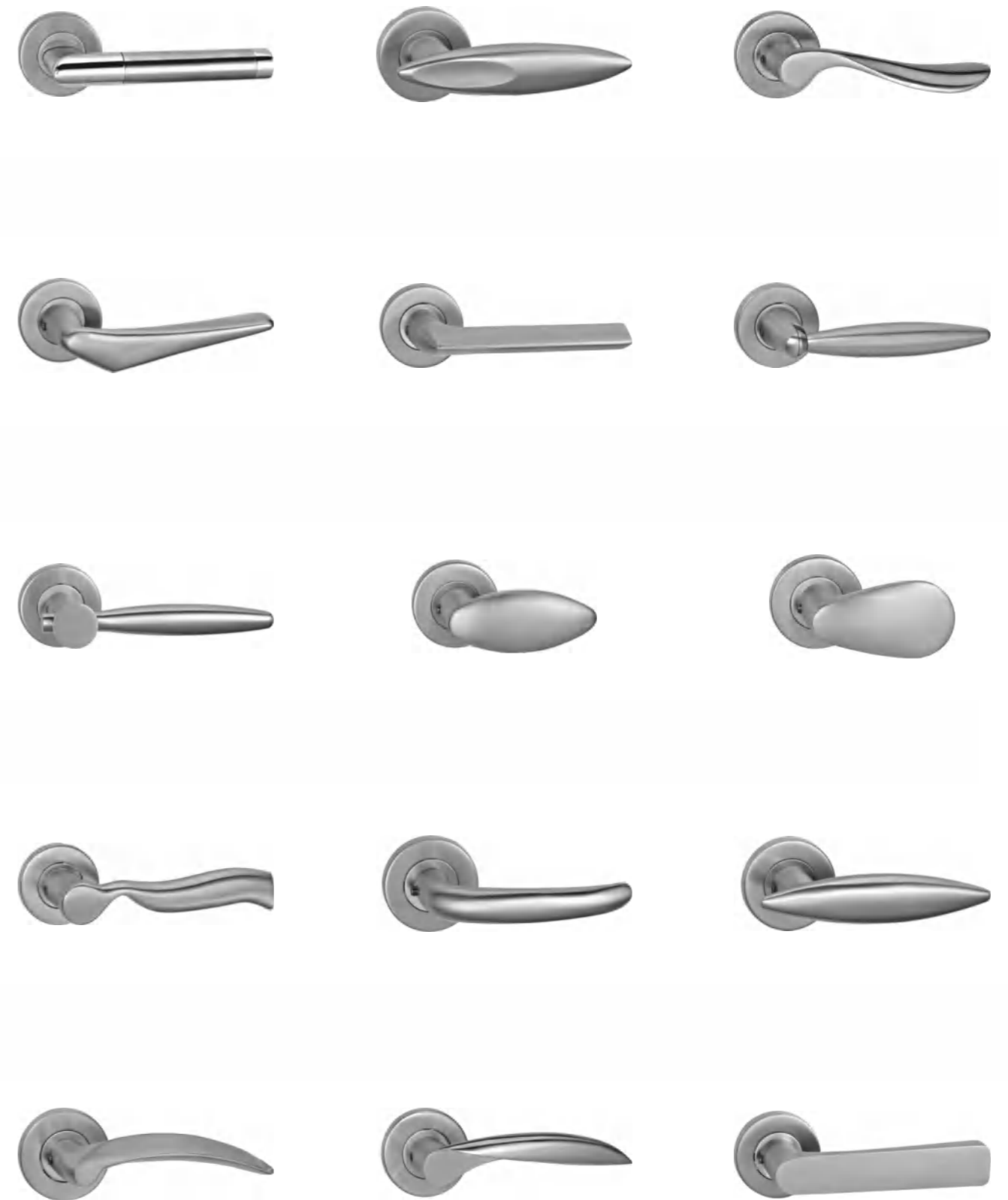
# Hollow Handle



## Hollow Handle



## Solid Handle





## Solid Handle



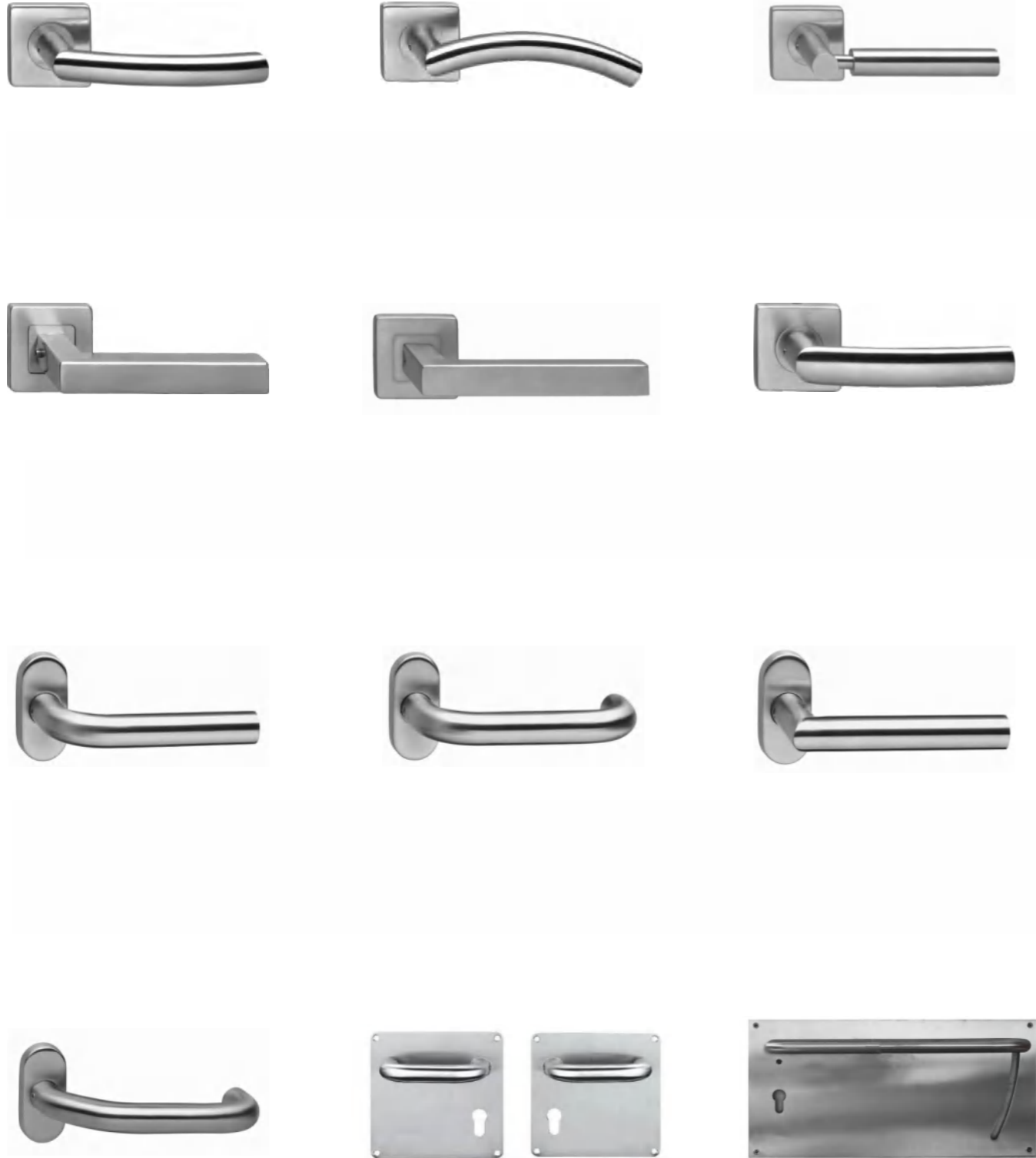
Solid Handle



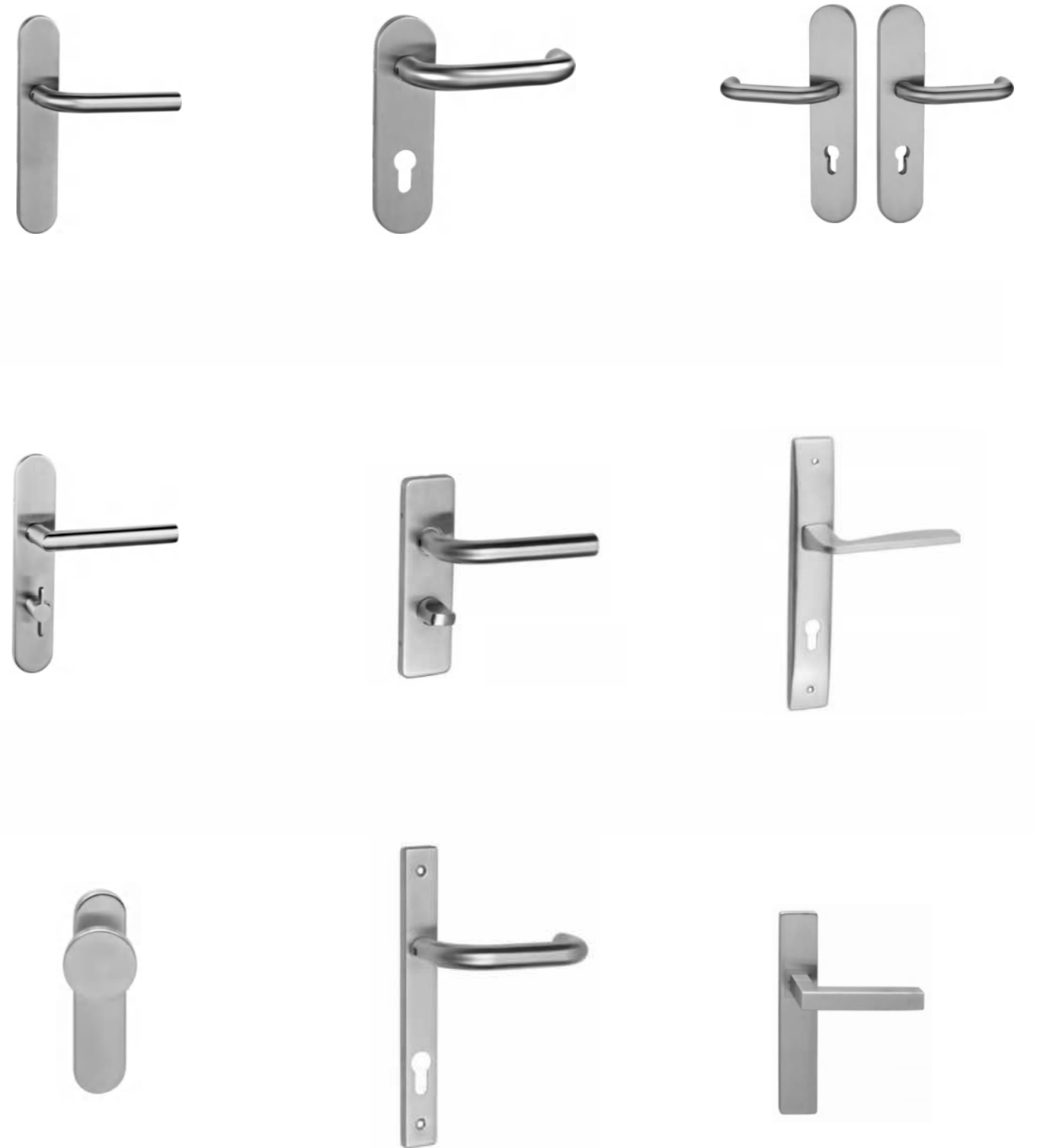
Solid Handle



## Square /Oval Cover Handle



## Stainless Steel Door Handle On Plate





# Knob

