



Sliding Barn Door
Hardware

美式
谷仓门导轨

POWDER COATINGS, MATT BLACK



Barndoor hardware

谷仓门吊轨(直臂款)

Sliding Barn Door Hardware Kit(I Shape)

产品参数

PRODUCT PARAMETERS

- 产品型号：BH-I640
PRODUCT MODEL: BH-I640
- 适用门厚：40-45mm
APPLICABLE DOOR THICKNESS: 40-45MM
- 承重：<150kg
GRAVITY BEARING: <150 KG
- 主要材质：碳钢/铝合金
MAIN MATERIAL: CARBON STEEL / ALUMINUM ALLOY
- 轨道厚度：6mm
TRACK THICKNESS: 6MM

材质及表面处理

MATERIAL & SURFACE TECHNOLOGY

- 导轨：6MM碳钢/铝合金材质
TRACK: 6MM CARBON STEEL/ALUMINUM ALLOY
- 吊轮：6MM碳钢材质/铝合金材质
ROLLER: 6MM CARBON STEEL/ALUMINUM ALLOY
- 限位器：铝合金
STOPPER: ALUMINIUM ALLOY
- 螺丝：8.8级高强度螺栓
SCREW: GRADE 8.8 HIGH STRENGTH BOLT
- 止摆器：POM聚甲醛
FLOOR GUIDE: POM

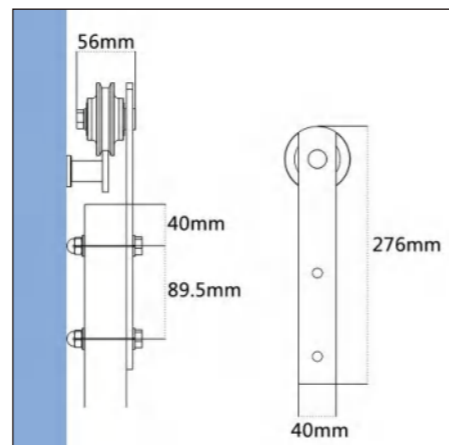
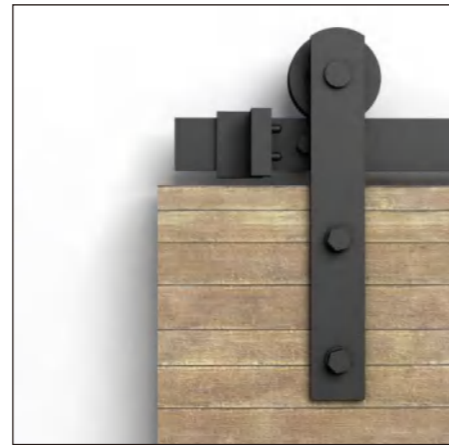
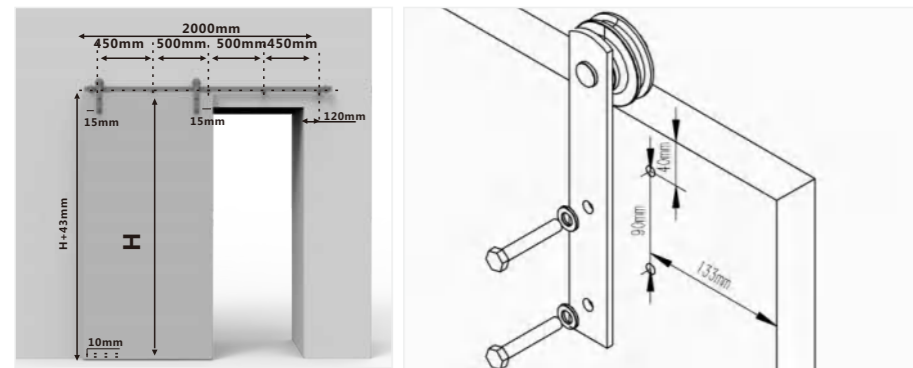
产品配件

PRODUCT PARTS



安装尺寸

INSTALLATION SIZE



谷仓门吊轨(侧装款)

Sliding Barn Door Hardware Kit(J Shape)

产品参数

PRODUCT PARAMETERS

- 产品型号：BH-J640
PRODUCT MODEL: BH-J640
- 适用门厚：40-45mm
APPLICABLE DOOR THICKNESS: 40-45MM
- 承重：<150kg
GRAVITY BEARING: <150 KG
- 主要材质：碳钢/铝合金
MAIN MATERIAL: CARBON STEEL / ALUMINUM ALLOY
- 轨道厚度：6mm
TRACK THICKNESS: 6MM

材质及表面处理

MATERIAL & SURFACE TECHNOLOGY

- 导轨：6MM碳钢材质
TRACK: 6MM CARBON STEEL/ALUMINUM ALLOY
- 吊轮：6MM碳钢材质
ROLLER: 6MM CARBON STEEL/ALUMINUM ALLOY
- 限位器：铝合金
STOPPER: ALUMINIUM ALLOY
- 螺丝：8.8级高强度螺栓
SCREW: GRADE 8.8 HIGH STRENGTH BOLT
- 止摆器：POM聚甲醛
FLOOR GUIDE: POM

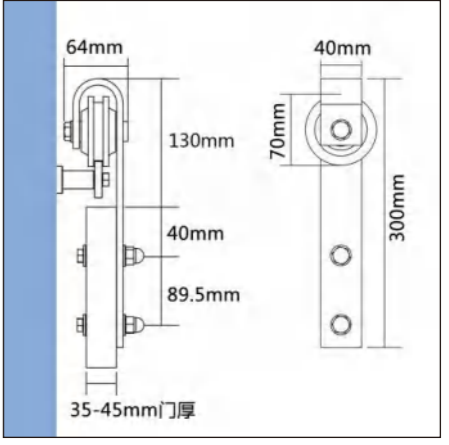
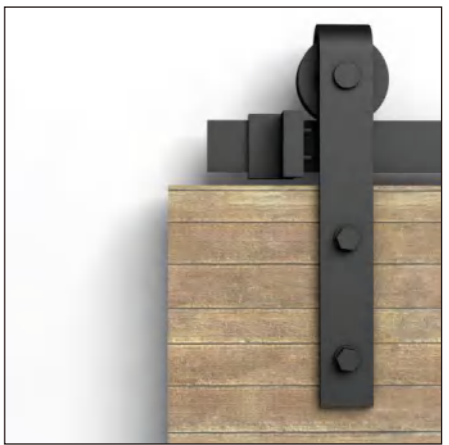
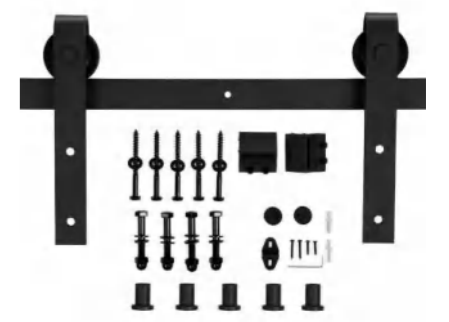
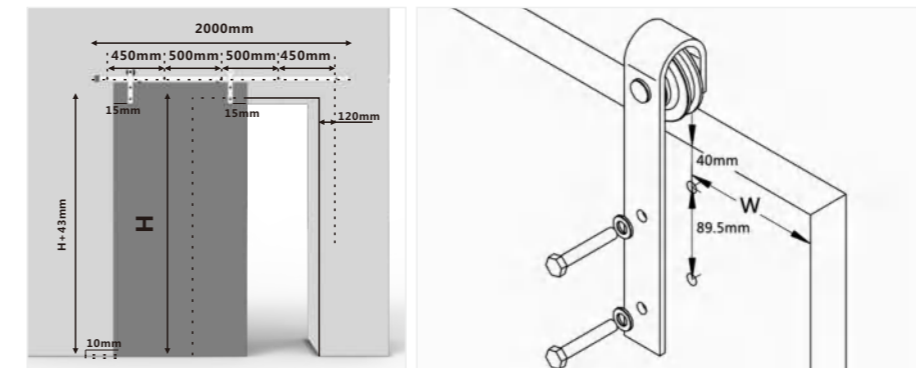
产品配件

PRODUCT PARTS



安装尺寸

INSTALLATION SIZE



谷仓门吊轨(顶吊款) Sliding Barn Door Hardware Kit(T Shape)

产品参数

PRODUCT PARAMETERS

- 产品型号：BH-T640
PRODUCT MODEL: BH-T640
- 适用门厚：40-45mm
APPLICABLE DOOR THICKNESS: 40-45MM
- 承重：<150kg
GRAVITY BEARING: <150 KG
- 主要材质：碳钢/铝合金
MAIN MATERIAL: CARBON STEEL / ALUMINUM ALLOY
- 轨道厚度：6mm
TRACK THICKNESS: 6MM

材质及表面处理

MATERIAL & SURFACE TECHNOLOGY

- 导轨：6MM碳钢/铝合金材质
TRACK: 6MM CARBON STEEL/ALUMINUM ALLOY
- 吊轮：6MM碳钢材质/铝合金材质
ROLLER: 6MM CARBON STEEL/ALUMINUM ALLOY
- 限位器：铝合金
STOPPER: ALUMINIUM ALLOY
- 螺丝：8.8级高强度螺栓
SCREW: GRADE 8.8 HIGH STRENGTH BOLT
- 止摆器：POM聚甲醛
FLOOR GUIDE: POM

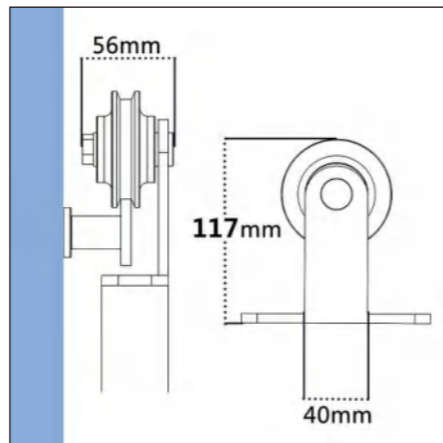
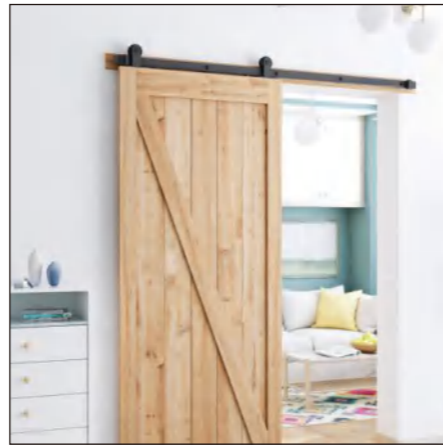
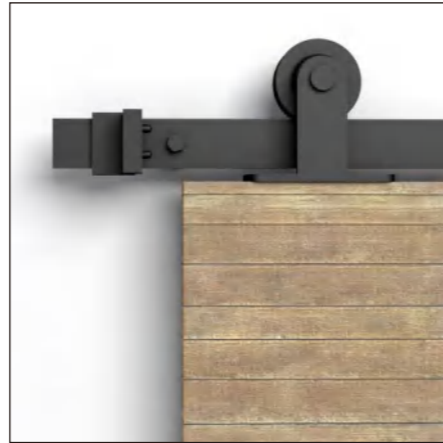
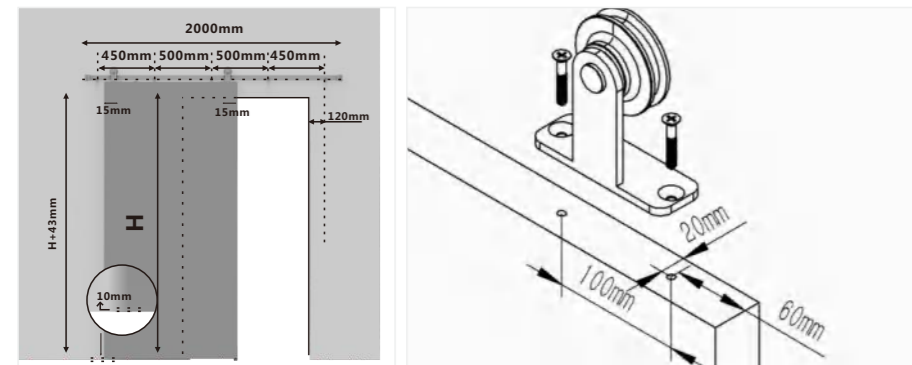
产品配件

PRODUCT PARTS



安装尺寸

INSTALLATION SIZE



谷仓门吊轨(大轮款) Sliding Barn Door Hardware Kit(Big Wheel Shape)

产品参数

PRODUCT PARAMETERS

- 产品型号：BH-BW640
PRODUCT MODEL: BH-BW640
- 适用门厚：40-45mm
APPLICABLE DOOR THICKNESS: 40-45MM
- 承重：<150kg
GRAVITY BEARING: <150 KG
- 主要材质：碳钢/铝合金
MAIN MATERIAL: CARBON STEEL / ALUMINUM ALLOY
- 轨道厚度：6mm
TRACK THICKNESS: 6MM

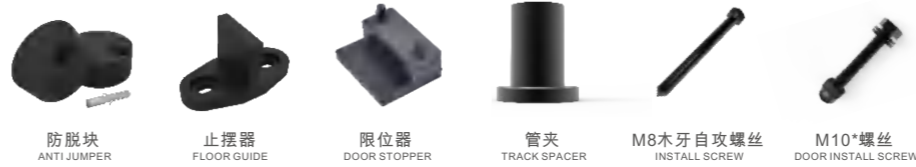
材质及表面处理

MATERIAL & SURFACE TECHNOLOGY

- 导轨：6MM碳钢材质
TRACK: 6MM CARBON STEEL/ALUMINUM ALLOY
- 吊轮：6MM碳钢材质
ROLLER: 6MM CARBON STEEL/ALUMINUM ALLOY
- 限位器：铝合金
STOPPER: ALUMINIUM ALLOY
- 螺丝：8.8级高强度螺栓
SCREW: GRADE 8.8 HIGH STRENGTH BOLT
- 止摆器：POM聚甲醛
FLOOR GUIDE: POM

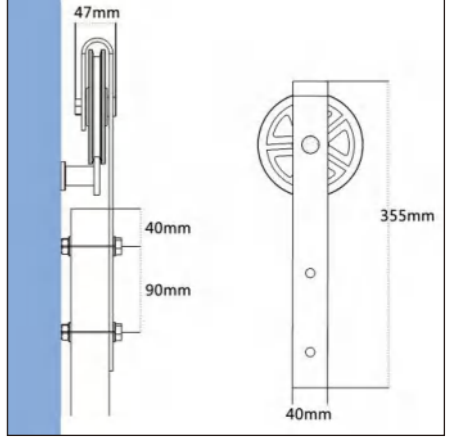
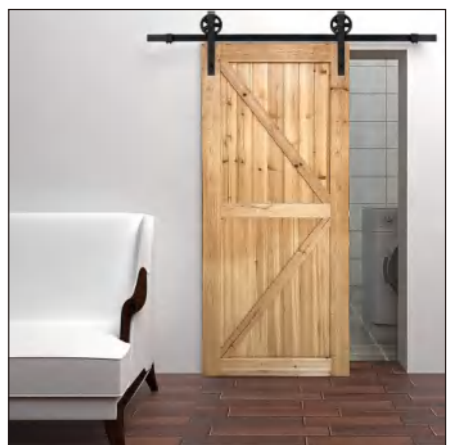
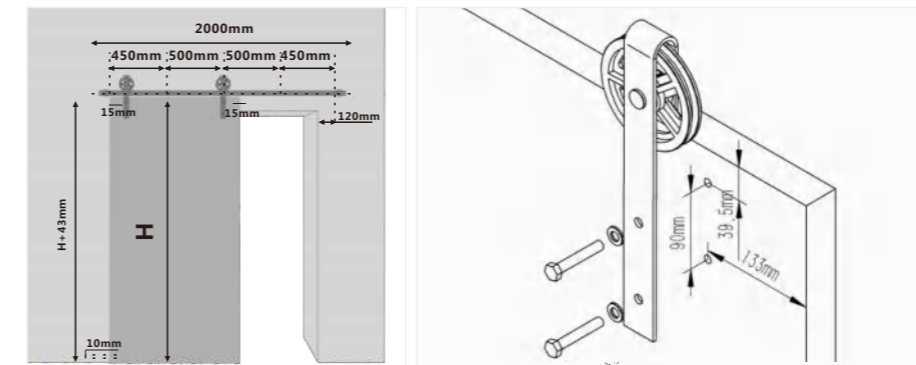
产品配件

PRODUCT PARTS



安装尺寸

INSTALLATION SIZE



谷仓门吊轨(菱形款)

Sliding Barn Door Hardware Kit(Diamond Shape)

产品参数

PRODUCT PARAMETERS

- 产品型号：BH-D640
PRODUCT MODEL: BH-D640
- 适用门厚：40-45mm
APPLICABLE DOOR THICKNESS: 40-45MM
- 承重：<150kg
GRAVITY BEARING: <150 KG
- 主要材质：碳钢/铝合金
MAIN MATERIAL: CARBON STEEL / ALUMINUM ALLOY
- 轨道厚度：6mm
TRACK THICKNESS: 6MM

材质及表面处理

MATERIAL & SURFACE TECHNOLOGY

- 导轨：6MM碳钢/铝合金材质
TRACK: 6MM CARBON STEEL/ALUMINUM ALLOY
- 吊轮：6MM碳钢材质/铝合金材质
ROLLER: 6MM CARBON STEEL/ALUMINUM ALLOY
- 限位器：铝合金
STOPPER: ALUMINIUM ALLOY
- 螺丝：8.8级高强度螺栓
SCREW: GRADE 8.8 HIGH STRENGTH BOLT
- 止摆器：POM聚甲醛
FLOOR GUIDE: POM

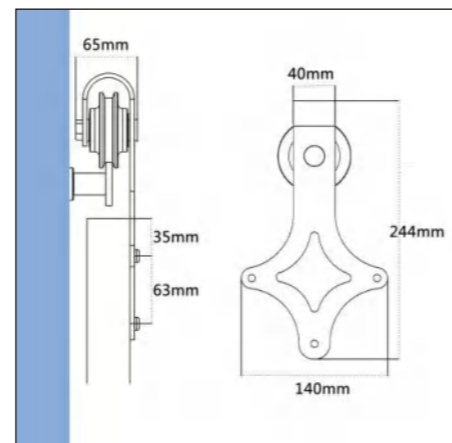
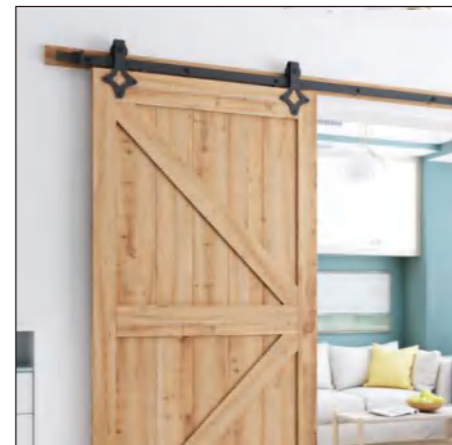
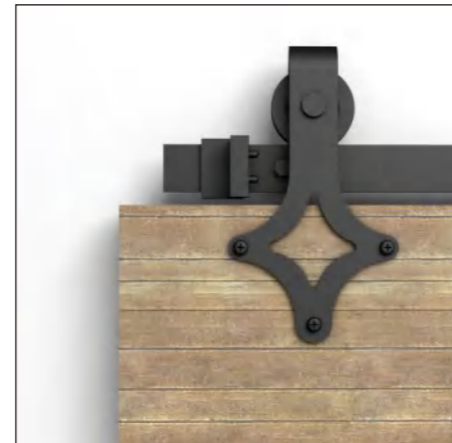
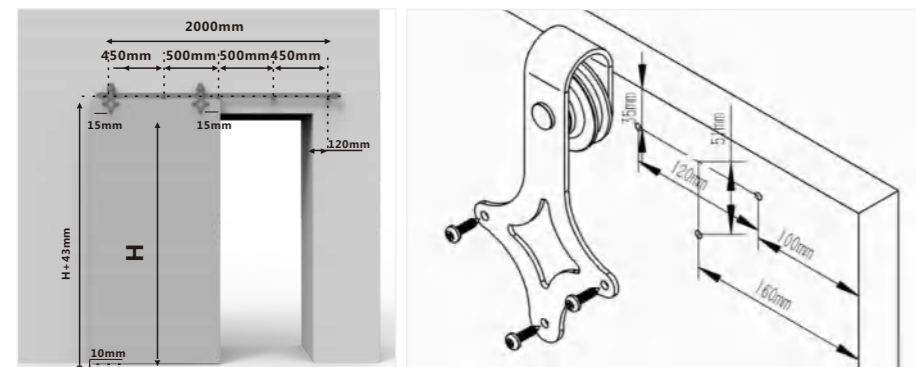
产品配件

PRODUCT PARTS



安装尺寸

INSTALLATION SIZE



谷仓门吊轨(箭型款)

Sliding Barn Door Hardware Kit(Arrow Shape)

产品参数

PRODUCT PARAMETERS

- 产品型号：BH-AR640
PRODUCT MODEL: BH-AR640
- 适用门厚：40-45mm
APPLICABLE DOOR THICKNESS: 40-45MM
- 承重：<150kg
GRAVITY BEARING: <150 KG
- 主要材质：碳钢/铝合金
MAIN MATERIAL: CARBON STEEL / ALUMINUM ALLOY
- 轨道厚度：6mm
TRACK THICKNESS: 6MM

材质及表面处理

MATERIAL & SURFACE TECHNOLOGY

- 导轨：6MM碳钢材质
TRACK: 6MM CARBON STEEL/ALUMINUM ALLOY
- 吊轮：6MM碳钢材质
ROLLER: 6MM CARBON STEEL/ALUMINUM ALLOY
- 限位器：铝合金
STOPPER: ALUMINIUM ALLOY
- 螺丝：8.8级高强度螺栓
SCREW: GRADE 8.8 HIGH STRENGTH BOLT
- 止摆器：POM聚甲醛
FLOOR GUIDE: POM

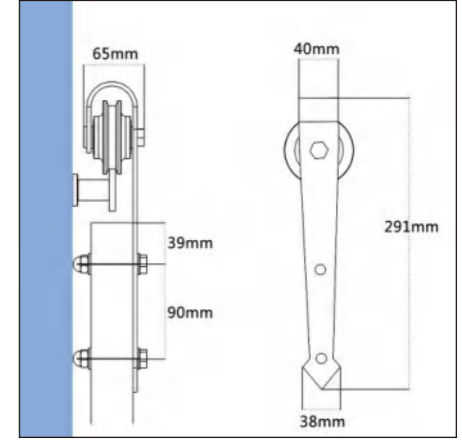
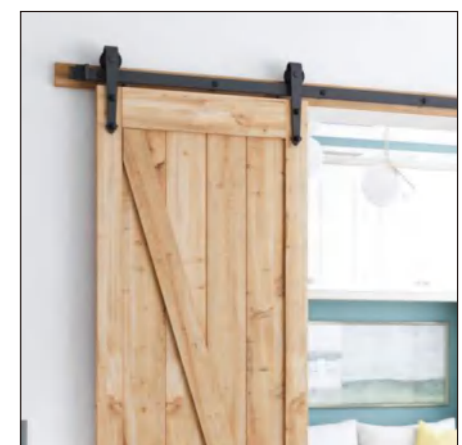
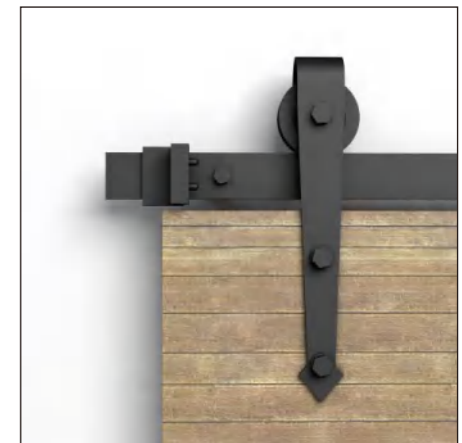
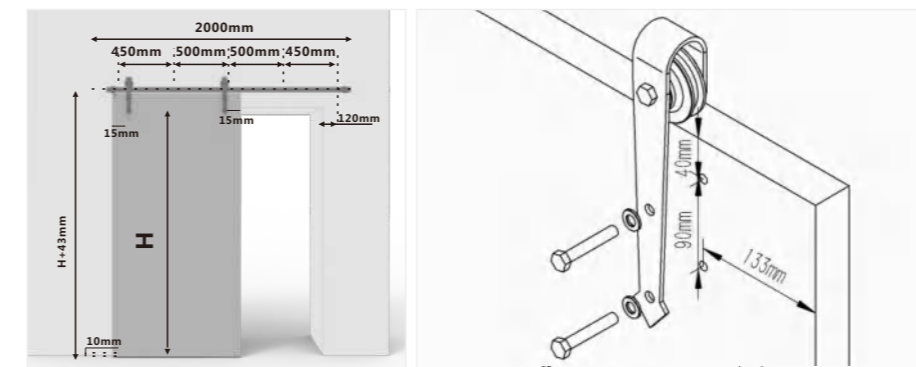
产品配件

PRODUCT PARTS



安装尺寸

INSTALLATION SIZE



谷仓门吊轨(U型款) Sliding Barn Door hardware kit(U Shape)

产品参数

PRODUCT PARAMETERS

- 产品型号：BH-U640
PRODUCT MODEL: BH-U640
- 适用门厚：40-45mm
APPLICABLE DOOR THICKNESS: 40-45MM
- 承重：<150kg
GRAVITY BEARING: <150 KG
- 主要材质：碳钢/铝合金
MAIN MATERIAL: CARBON STEEL / ALUMINUM ALLOY
- 轨道厚度：6mm
TRACK THICKNESS: 6MM

材质及表面处理

MATERIAL & SURFACE TECHNOLOGY

- 导轨：6MM碳钢/铝合金材质
TRACK: 6MM CARBON STEEL/ALUMINUM ALLOY
- 吊轮：6MM碳钢材质/铝合金材质
ROLLER: 6MM CARBON STEEL/ALUMINUM ALLOY
- 限位器：铝合金
STOPPER: ALUMINIUM ALLOY
- 螺丝：8.8级高强度螺栓
SCREW: GRADE 8.8 HIGH STRENGTH BOLT
- 止摆器：POM聚甲醛
FLOOR GUIDE: POM

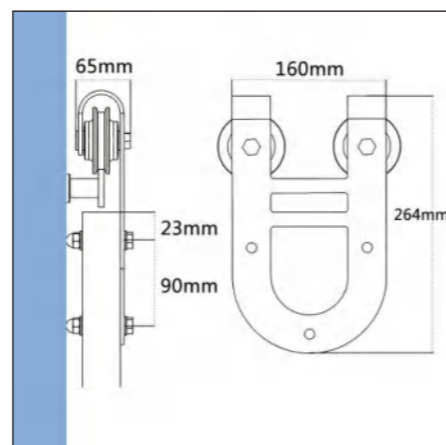
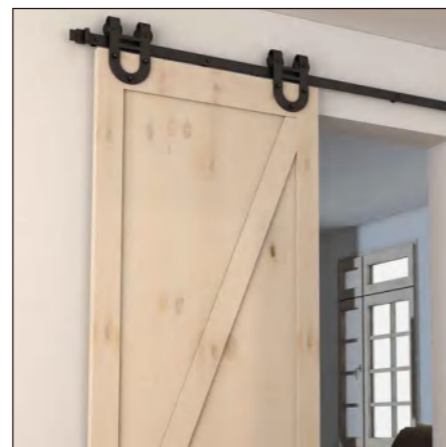
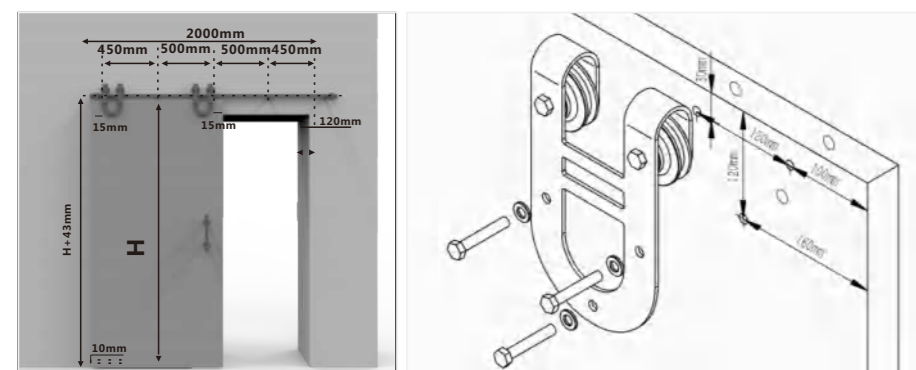
产品配件

PRODUCT PARTS



安装尺寸

INSTALLATION SIZE



谷仓门吊轨(Horseshoe Shape) Sliding Barn Door hardware kit(Horseshoe shape)

产品参数

PRODUCT PARAMETERS

- 产品型号：BH-SU640
PRODUCT MODEL: BH-SU640
- 适用门厚：40-45mm
APPLICABLE DOOR THICKNESS: 40-45MM
- 承重：<150kg
GRAVITY BEARING: <150 KG
- 主要材质：碳钢/铝合金
MAIN MATERIAL: CARBON STEEL / ALUMINUM ALLOY
- 轨道厚度：6mm
TRACK THICKNESS: 6MM

材质及表面处理

MATERIAL & SURFACE TECHNOLOGY

- 导轨：6MM碳钢材质
TRACK: 6MM CARBON STEEL/ALUMINUM ALLOY
- 吊轮：6MM碳钢材质
ROLLER: 6MM CARBON STEEL/ALUMINUM ALLOY
- 限位器：铝合金
STOPPER: ALUMINIUM ALLOY
- 螺丝：8.8级高强度螺栓
SCREW: GRADE 8.8 HIGH STRENGTH BOLT
- 止摆器：POM聚甲醛
FLOOR GUIDE: POM

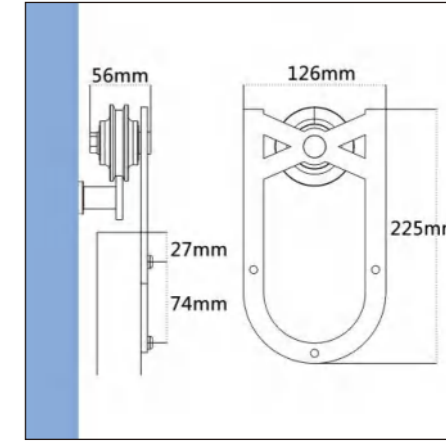
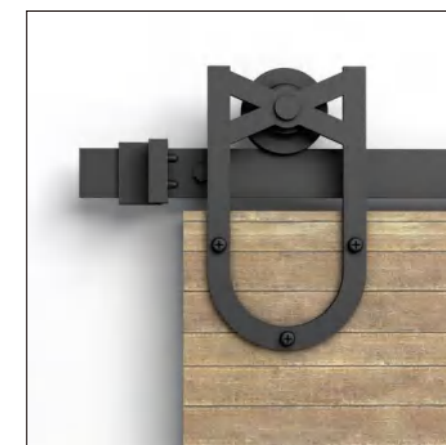
产品配件

PRODUCT PARTS



安装尺寸

INSTALLATION SIZE



谷仓门吊轨(心型款)

Sliding Barn Door hardware kit(Heart Shape)

产品参数

PRODUCT PARAMETERS

- 产品型号：BH-8161
PRODUCT MODEL: BH-8161
- 适用门厚：40-45mm
APPLICABLE DOOR THICKNESS: 40-45MM
- 承重：<150kg
GRAVITY BEARING: <150 KG
- 主要材质：碳钢/铝合金
MAIN MATERIAL: CARBON STEEL / ALUMINUM ALLOY
- 轨道厚度：6mm
TRACK THICKNESS: 6MM

材质及表面处理

MATERIAL & SURFACE TECHNOLOGY

- 导轨：6MM碳钢/铝合金材质
TRACK: 6MM CARBON STEEL/ALUMINUM ALLOY
- 吊轮：6MM碳钢材质/铝合金材质
ROLLER: 6MM CARBON STEEL/ALUMINUM ALLOY
- 限位器：铝合金
STOPPER: ALUMINIUM ALLOY
- 螺丝：8.8级高强度螺栓
SCREW: GRADE 8.8 HIGH STRENGTH BOLT
- 止摆器：POM聚甲醛
FLOOR GUIDE: POM

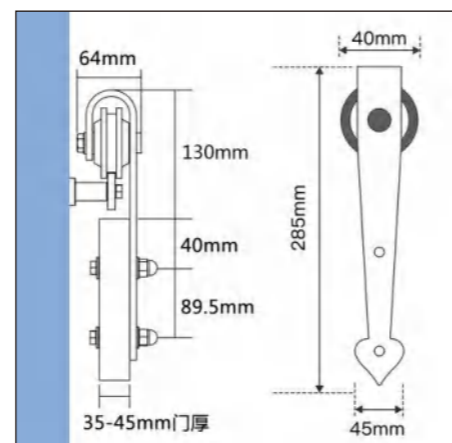
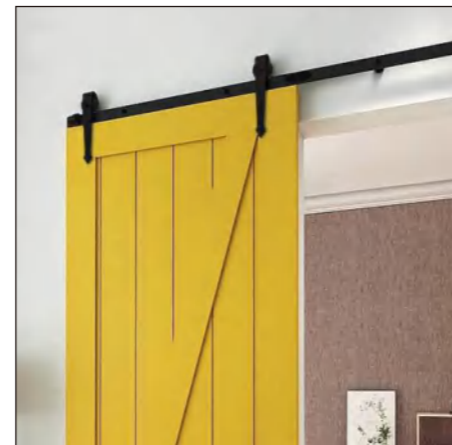
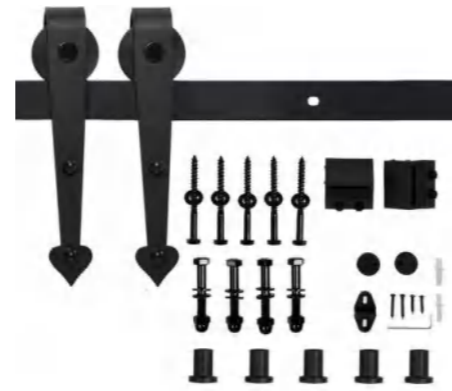
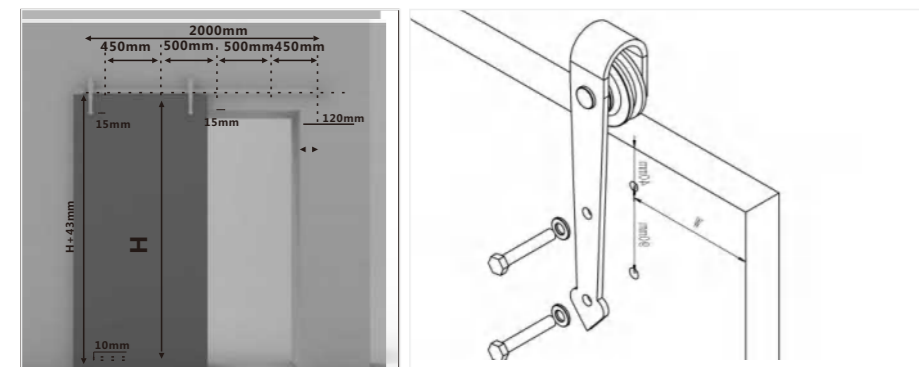
产品配件

PRODUCT PARTS



安装尺寸

INSTALLATION SIZE



谷仓门吊轨(Anchor Shape)

Sliding Barn Door hardware kit(Anchor shape)

产品参数

PRODUCT PARAMETERS

- 产品型号：BH-8162
PRODUCT MODEL: BH-8162
- 适用门厚：40-45mm
APPLICABLE DOOR THICKNESS: 40-45MM
- 承重：<150kg
GRAVITY BEARING: <150 KG
- 主要材质：碳钢/铝合金
MAIN MATERIAL: CARBON STEEL / ALUMINUM ALLOY
- 轨道厚度：6mm
TRACK THICKNESS: 6MM

材质及表面处理

MATERIAL & SURFACE TECHNOLOGY

- 导轨：6MM碳钢材质
TRACK: 6MM CARBON STEEL/ALUMINUM ALLOY
- 吊轮：6MM碳钢材质
ROLLER: 6MM CARBON STEEL/ALUMINUM ALLOY
- 限位器：铝合金
STOPPER: ALUMINIUM ALLOY
- 螺丝：8.8级高强度螺栓
SCREW: GRADE 8.8 HIGH STRENGTH BOLT
- 止摆器：POM聚甲醛
FLOOR GUIDE: POM

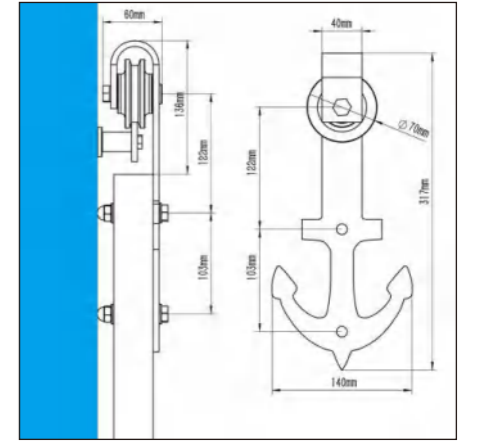
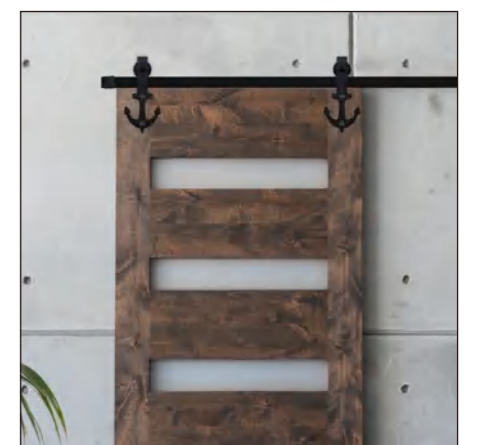
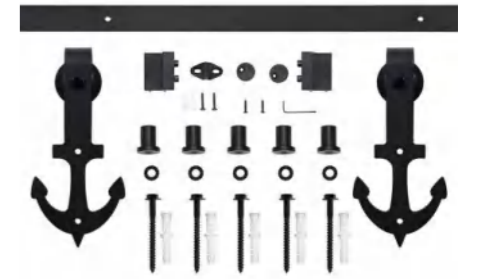
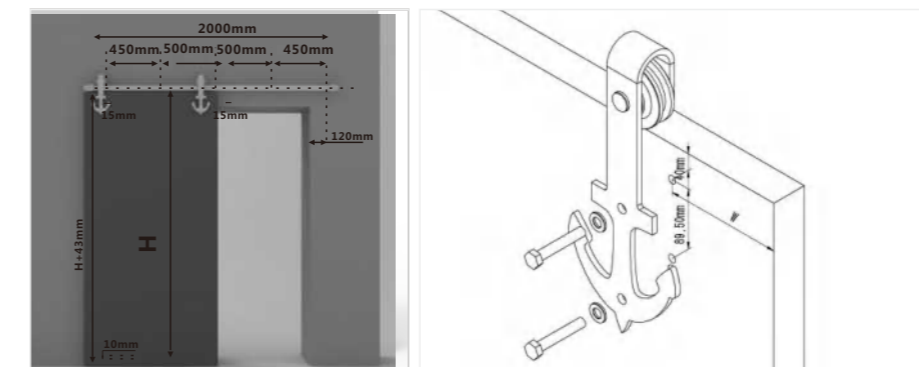
产品配件

PRODUCT PARTS



安装尺寸

INSTALLATION SIZE



谷仓门吊轨(心型款)

Sliding Barn Door hardware kit(Heart Shape)

产品参数

PRODUCT PARAMETERS

- 产品型号：BH-8163
PRODUCT MODEL: BH-8163
- 适用门厚：40-45mm
APPLICABLE DOOR THICKNESS: 40-45MM
- 承重：<150kg
GRAVITY BEARING: <150 KG
- 主要材质：碳钢/铝合金
MAIN MATERIAL: CARBON STEEL / ALUMINUM ALLOY
- 轨道厚度：6mm
TRACK THICKNESS: 6MM

材质及表面处理

MATERIAL & SURFACE TECHNOLOGY

- 导轨：6MM碳钢/铝合金材质
TRACK: 6MM CARBON STEEL/ALUMINUM ALLOY
- 吊轮：6MM碳钢材质/铝合金材质
ROLLER: 6MM CARBON STEEL/ALUMINUM ALLOY
- 限位器：铝合金
STOPPER: ALUMINIUM ALLOY
- 螺丝：8.8级高强度螺栓
SCREW: GRADE 8.8 HIGH STRENGTH BOLT
- 止摆器：POM聚甲醛
FLOOR GUIDE: POM

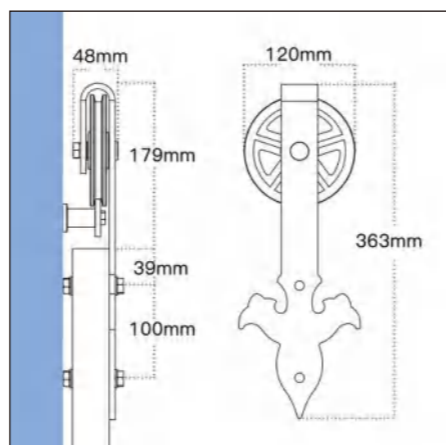
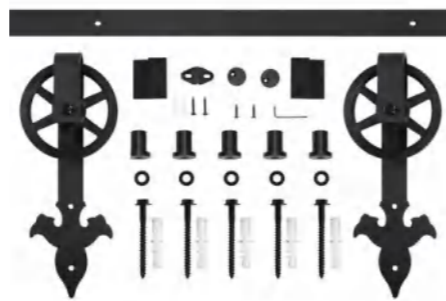
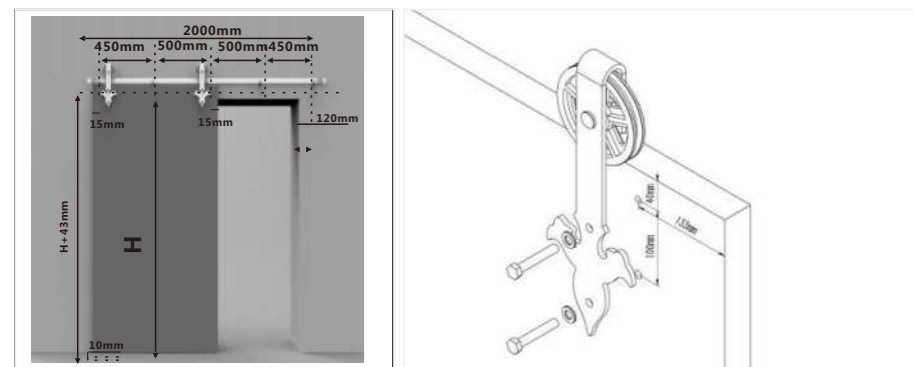
产品配件

PRODUCT PARTS



安装尺寸

INSTALLATION SIZE



MINI
BARN DOOR
HARDWARE

迷你
谷仓门吊轨

POWDER COATINGS, MATT BLACK

迷你谷仓门吊轨(J430款)

Mini Sliding Barn Door hardware kit(J430 Shape)

产品参数

PRODUCT PARAMETERS

- 产品型号：BH-J430
PRODUCT MODEL: BH-J430
- 适用门厚：20-25mm
APPLICABLE DOOR THICKNESS: 20-25MM
- 承重：<70kg
GRAVITY BEARING: <70 KG
- 主要材质：碳钢/铝合金
MAIN MATERIAL: CARBON STEEL / ALUMINUM ALLOY
- 轨道厚度：4mm
TRACK THICKNESS: 4MM

材质及表面处理

MATERIAL & SURFACE TECHNOLOGY

- 导轨：4MM碳钢/铝合金材质
TRACK: 4MM CARBON STEEL/ALUMINUM ALLOY
- 吊轮：4MM碳钢材质/铝合金材质
ROLLER: 4MM CARBON STEEL/ALUMINUM ALLOY
- 限位器：铝合金
STOPPER: ALUMINIUM ALLOY
- 螺丝：M6木牙自攻螺丝
SCREW: M6 SELF TAPPING SCREW
- 止摆器：POM聚甲醛
FLOOR GUIDE: POM

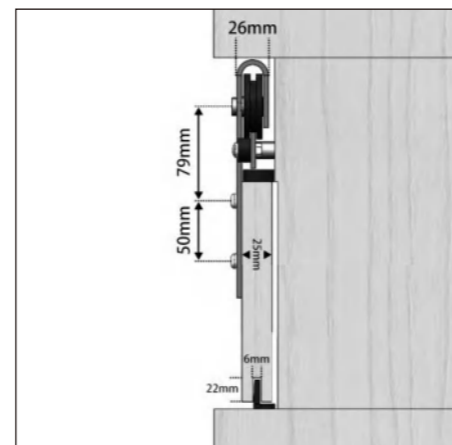
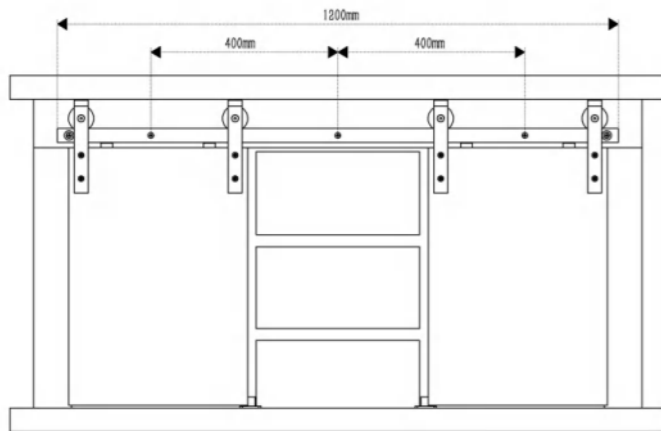
产品配件

PRODUCT PARTS



安装尺寸

INSTALLATION SIZE



迷你谷仓门吊轨(J216款)

Mini Sliding Barn Door hardware kit(J216 Shape)

产品参数

PRODUCT PARAMETERS

- 产品型号：BH-J216
PRODUCT MODEL: BH-J216
- 适用门厚：15-25mm
APPLICABLE DOOR THICKNESS: 15-25MM
- 承重：<40kg
GRAVITY BEARING: <40 KG
- 主要材质：碳钢
MAIN MATERIAL: CARBON STEEL
- 轨道厚度：Φ16mmX2MM
TRACK THICKNESS: Φ16MMx2MM

材质及表面处理

MATERIAL & SURFACE TECHNOLOGY

- 导轨：Φ16MM碳钢材质
TRACK: Φ16MM CARBON STEEL
- 吊轮：3MM碳钢材质
ROLLER: 3MM CARBON STEEL
- 限位器：碳钢
STOPPER: CARBON STEEL
- 螺丝：M4自攻螺丝
SCREW: M4 SCREW
- 止摆器：POM聚甲醛
FLOOR GUIDE: POM

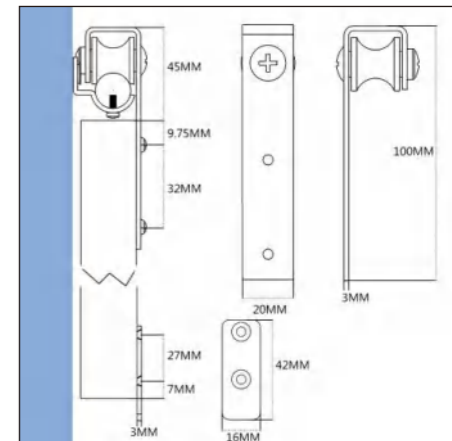
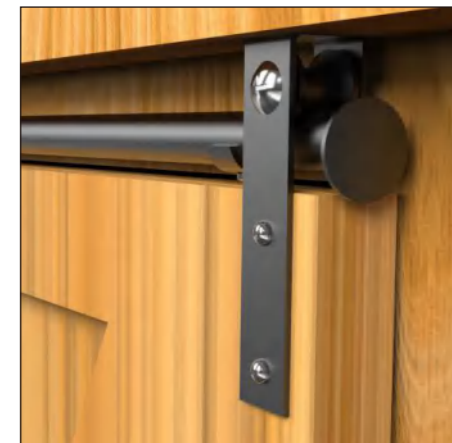
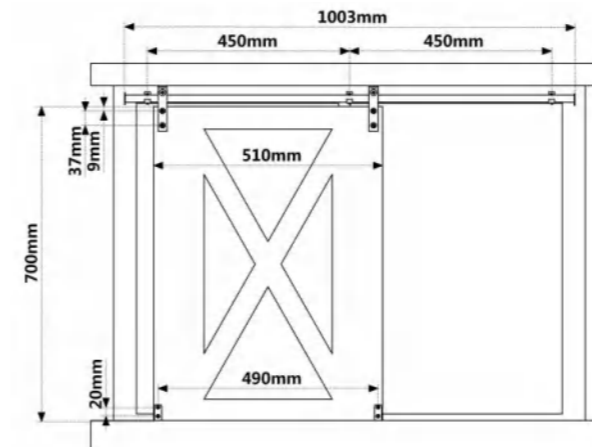
产品配件

PRODUCT PARTS



安装尺寸

INSTALLATION SIZE



迷你谷仓门吊轨(J530款)

Mini Sliding Barn Door hardware kit(J530 Shape)

产品参数

PRODUCT PARAMETERS

- 产品型号：BH-J530
PRODUCT MODEL: BH-J530
- 适用门厚：35-40mm
APPLICABLE DOOR THICKNESS: 35-40MM
- 承重力：<70kg
GRAVITY BEARING: <70 KG
- 主要材质：碳钢/铝合金
MAIN MATERIAL: CARBON STEEL / ALUMINUM ALLOY
- 轨道厚度：5mm
TRACK THICKNESS: 5MM

材质及表面处理

MATERIAL & SURFACE TECHNOLOGY

- 导轨：5MM碳钢/铝合金材质
TRACK: 5MM CARBON STEEL/ALUMINUM ALLOY
- 吊轮：5MM碳钢材质/铝合金材质
ROLLER: 5MM CARBON STEEL/ALUMINUM ALLOY
- 限位器：铝合金
STOPPER: ALUMINIUM ALLOY
- 螺丝：8.8级高强度螺栓
SCREW: GRADE 8.8 HIGH STRENGTH BOLT
- 止摆器：POM聚甲醛
FLOOR GUIDE: POM

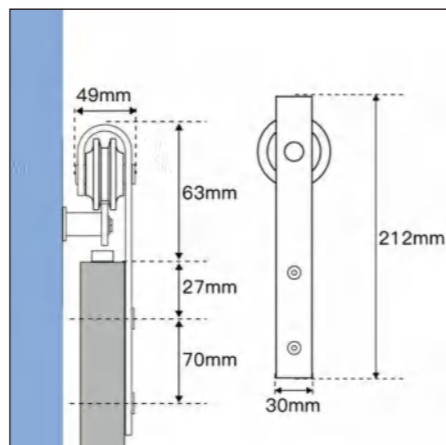
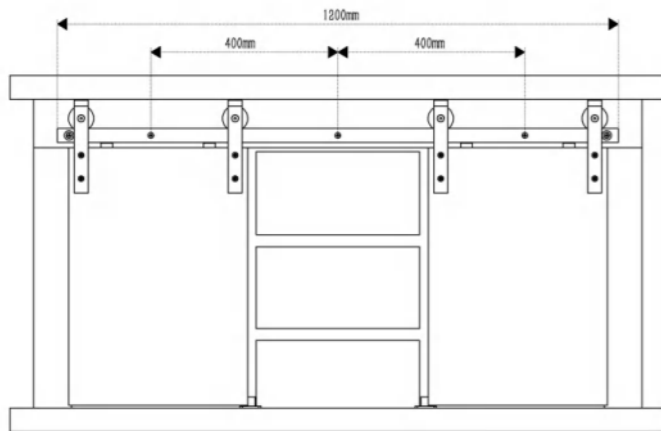
产品配件

PRODUCT PARTS



安装尺寸

INSTALLATION SIZE



BARN DOOR HANDLES

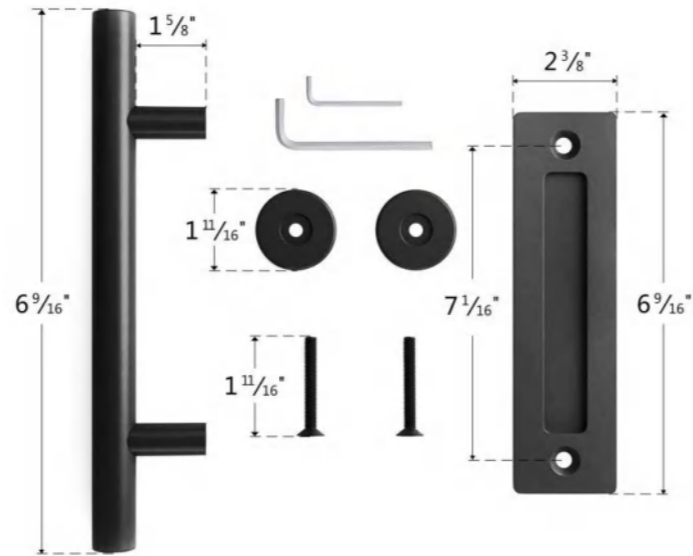
谷仓门拉手

POWDER COATINGS, MATT BLACK

谷仓门拉手(方形) Sliding Barn Door Handles(Squar)



PRODUCT DIAMETER



材质及表面处理 MAIN MATERIALS AND FINISHES



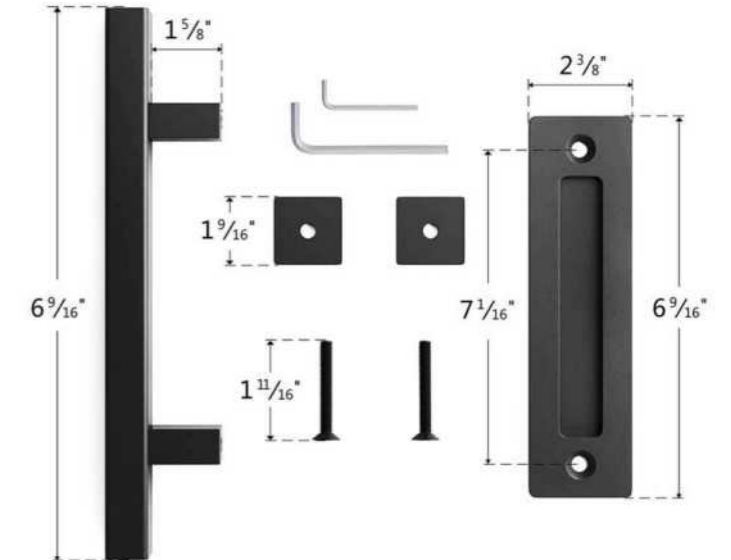
产品参数 Product Details

- 产品型号: BH-S2502
PRODUCT MODEL: BH-S2502
- 包装内容: 拉手一套, 安装扳手, 安装螺丝
PACKAGING CONTENT: HANDLE SET, INSTALLATION SPANNER, INSTALLATION SCREW PRODUCT
- 产品包装: 340mmX95mmX40mm
PACKAGING: 340mm X95mm X40mm
- 产品净重: 1070g
NET WEIGHT: 1070g
- 适用门厚: 40-45mm
DOOR THICKNESS: 40-45mm

谷仓门拉手(圆形) Sliding Barn Door Handles(Round)



PRODUCT DIAMETER



材质及表面处理 MAIN MATERIALS AND FINISHES



产品参数 Product Details

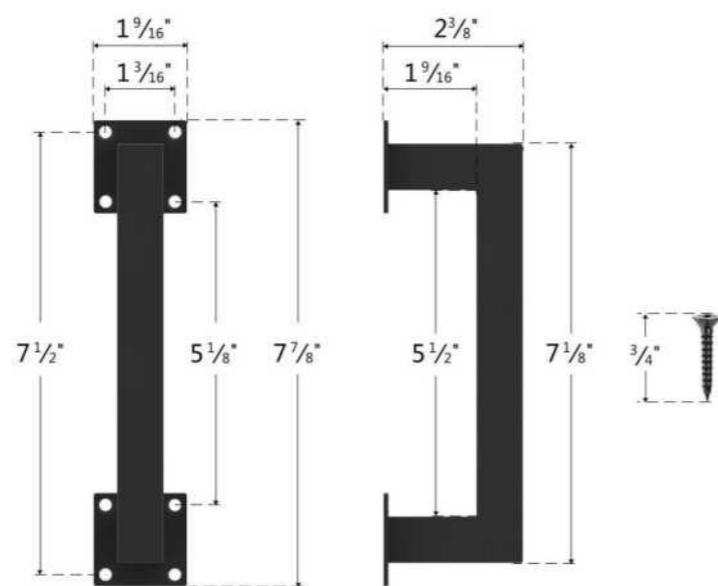
- 产品型号: BH-R2502
PRODUCT MODEL: BH-R2502
- 包装内容: 拉手一套, 安装扳手, 安装螺丝
PACKAGING CONTENT: HANDLE SET, INSTALLATION SPANNER, INSTALLATION SCREW PRODUCT
- 产品包装: 340mmX95mmX40mm
PACKAGING: 340mm X95mm X40mm
- 产品净重: 1030g
NET WEIGHT: 1070g
- 适用门厚: 40-45mm
DOOR THICKNESS: 40-45mm

谷仓门拉手(迷你方形)

Sliding Barn Door Handles(Mini Squar)



PRODUCT DIAMETER



材质及表面处理

MAIN MATERIALS AND FINISHES



产品参数

Product Details

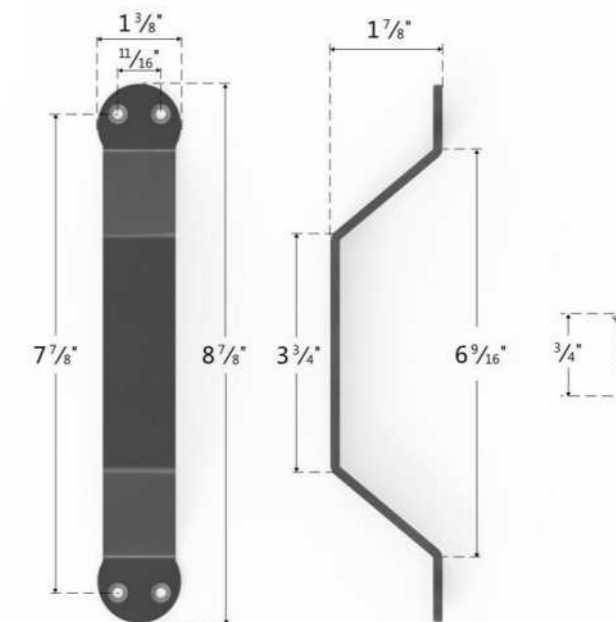
- 产品型号: BH-MN202
PRODUCT MODEL: BH-MN202
- 包装内容: 拉手一套, 安装螺丝
PACKAGING CONTENT: HANDLE SET, INSTALLATION SCREW PRODUCT
- 产品包装: 235mmX66mmX58mm
PACKAGING: 235mm X66mm X58mm
- 产品净重: 190g
NET WEIGHT: 190g
- 适用门厚: 40-45mm
DOOR THICKNESS: 40-45mm

谷仓门拉手(梯形)

Sliding Barn Door Handles(Trapezoid)



PRODUCT DIAMETER



材质及表面处理

MAIN MATERIALS AND FINISHES



产品参数

Product Details

- 产品型号: BH-T354
PRODUCT MODEL: BH-T354
- 包装内容: 拉手一套, 安装螺丝
PACKAGING CONTENT: HANDLE SET, INSTALLATION SCREW PRODUCT
- 产品包装: 230mmX50mmX49mm
PACKAGING: 230mm X50mm X49mm
- 产品净重: 249g
NET WEIGHT: 249g
- 适用门厚: 40-45mm
DOOR THICKNESS: 40-45mm

谷仓门拉手(四脚圆柱)

Sliding Barn Door Handles(Quadruped Cylinder)



材质及表面处理 MAIN MATERIALS AND FINISHES

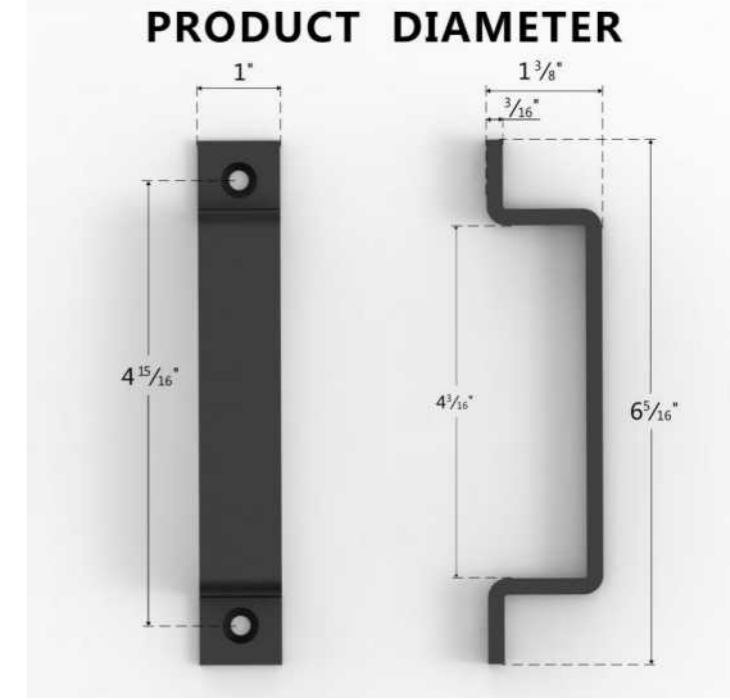


产品参数 Product Details

- 产品型号 : BH-QC14
PRODUCT MODEL: BH-QC14
- 包装内容: 拉手一套, 安装螺丝
PACKAGING CONTENT: HANDLE SET, INSTALLATION SCREW PRODUCT
- 产品包装: 235mmX66mmX58mm
PACKAGING: 235mm X66mm X58mm
- 产品净重: 354g
NET WEIGHT: 354g
- 适用门厚 : 40-45mm
DOOR THICKNESS: 40-45mm

谷仓门拉手(弓形)

Sliding Barn Door Handles(Arch Type)



材质及表面处理 MAIN MATERIALS AND FINISHES



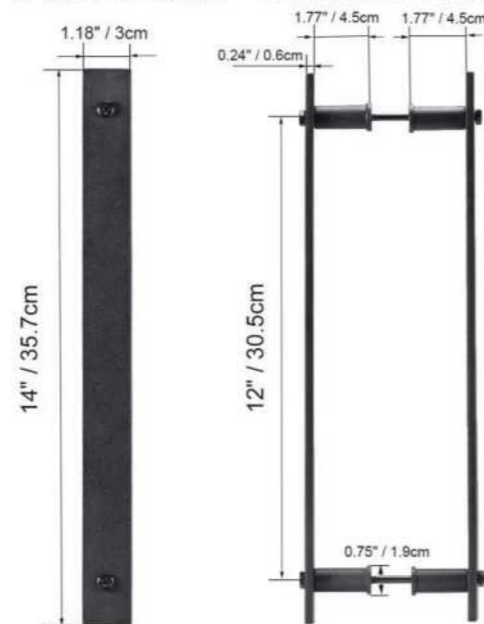
产品参数 Product Details

- 产品型号 : BH-AT255
PRODUCT MODEL: BH-AT255
- 包装内容: 拉手一套, 安装螺丝
PACKAGING CONTENT: HANDLE SET, INSTALLATION SCREW PRODUCT
- 产品包装: 170mmX40mmX30mm
PACKAGING: 170mm X40mm X30mm
- 产品净重: 300g
NET WEIGHT: 300g
- 适用门厚 : 40-45mm
DOOR THICKNESS: 40-45mm

谷仓门双面拉手(方形)
Sliding Barn Door Double Sided Handle(Squar)



PRODUCT DIAMETER



材质及表面处理
MAIN MATERIALS AND FINISHES



产品参数
Product Details

- 产品型号 : BH-DB640
PRODUCT MODEL: BH-DB640
- 包装内容: 拉手一套, 安装扳手, 安装螺丝
PACKAGING CONTENT: HANDLE SET, INSTALLATION SPANNER, INSTALLATION SCREW PRODUCT
- 产品包装: 370mmX95mmX30mm
PACKAGING: 370mm X95mm X30mm
- 产品净重: 3.5kg
NET WEIGHT: 3.5kg
- 适用门厚 : 40-45mm
DOOR THICKNESS: 40-45mm

MAIN MATERIALS AND FINISHES

美式谷仓门配件

POWDER COATINGS, MATT BLACK





谷仓门门锁(黑色碳钢)

Slidng Barn Door Latch(BLACK)

材质及表面处理

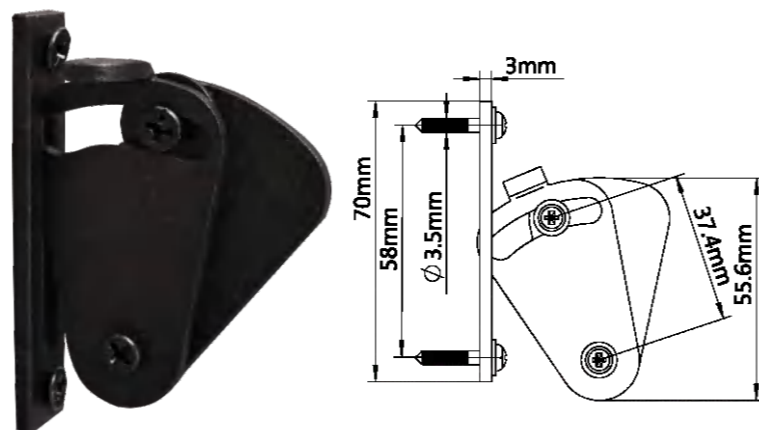
MAIN MATERIALS AND FINISHES

- 粉末涂料、磨砂黑
POWDER COATINGS, MATT BLACK

产品参数

Product parameters:

- 产品型号: BH-008
PRODUCT MODEL: BH-008
- 包装内容: 谷仓门锁一套, 安装螺丝
PACKAGING CONTENT: A SET OF BARN DOOR LATCHES, INSTALLATION SCREW PRODUCT
- 产品包装: 13MMX10MM PE BAG
PACKAGING: 13mm X10mm PE BAG
- 产品净重: 95g
NET WEIGHT: 95g



谷仓门门锁(不锈钢拉丝)

Slidng Barn Door Latch(Stainless Steel)

材质及表面处理

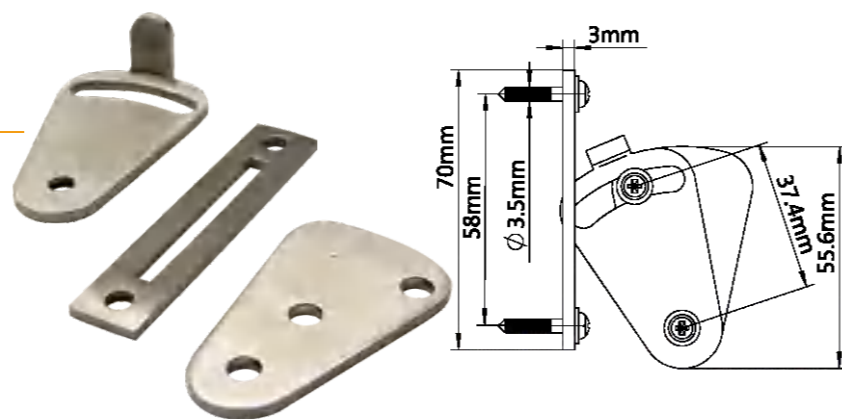
MAIN MATERIALS AND FINISHES

- 不锈钢拉丝
Stainless Steel

产品参数

Product parameters:

- 产品型号: BH-018
PRODUCT MODEL: BH-018
- 包装内容: 谷仓门锁一套, 安装螺丝
PACKAGING CONTENT: A SET OF BARN DOOR LATCHES, INSTALLATION SCREW PRODUCT
- 产品包装: 13MMX10MM PE BAG
PACKAGING: 13mm X10mm PE BAG
- 产品净重: 120g
NET WEIGHT: 120g



谷仓门拼接片(碳钢黑色)

Slidng Barn Door Link Accessories(Black)

材质及表面处理

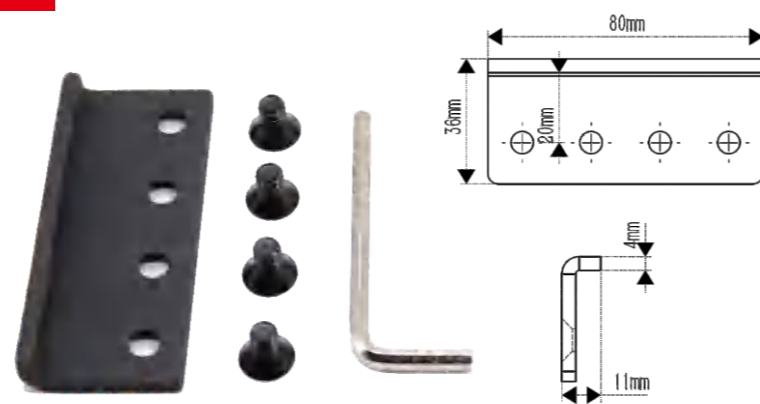
MAIN MATERIALS AND FINISHES

- 粉末涂料、磨砂黑
POWDER COATINGS, MATT BLACK

产品参数

Product parameters:

- 产品型号: BH-019
PRODUCT MODEL: BH-019
- 包装内容: 链接片一个, 六角钥匙一个, 安装螺丝
PACKAGING CONTENT: Link accessories, External hexagon wrench, Install Screw
- 产品包装: 55MMX35MMX80MM
PACKAGING: 55mm X35mm X80MM
- 产品净重: 120g
NET WEIGHT: 120g



谷仓门缓冲器(黑色塑料)

Slidng Barn Door Soft Close(BLACK)

材质及表面处理

MAIN MATERIALS AND FINISHES

- ABS 塑料
ABS Plastic

产品参数

Product parameters:

- 产品型号: BH-SC001
PRODUCT MODEL: BH-SC001
- 包装内容: 谷仓门缓冲器2支, 安装螺丝6个, 触发器2个, 固定夹2个
PACKAGING CONTENT: There are 2 buffers for barn door, 6 mounting screws, 2 triggers and 2 fixing clamps
- 产品包装: 350MMX95MMX40MM
PACKAGING: 350mm X95mm X40mm
- 产品净重: 300g
NET WEIGHT: 300g



谷仓门止摆器(黑色碳钢)

Slidng Barn Door Floor Guide(Black)

材质及表面处理

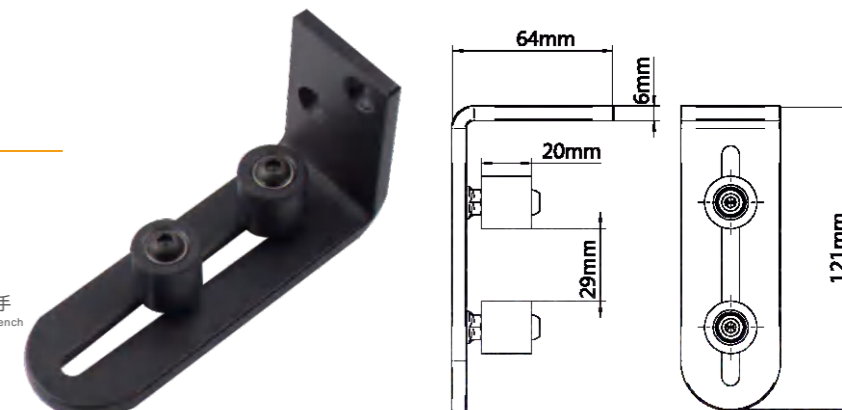
MAIN MATERIALS AND FINISHES

- 粉末涂料、磨砂黑
POWDER COATINGS, MATT BLACK

产品参数

Product parameters:

- 产品型号: BH-FG001
PRODUCT MODEL: BH-FG001
- 包装内容: 谷仓门止摆器一个, 防滑胶带2条, 安装螺丝, 调节六角钥匙, 扳手
PACKAGING CONTENT: A barn door swing stop, 2 anti-skid tape, mounting screw, adjusting hexagon key, wrench
- 产品包装: 130MMX90MMX70MM
PACKAGING: 130mm X90mm X70mm
- 产品净重: 330g
NET WEIGHT: 330g



谷仓门止摆器(碳钢黑色)

Slidng Barn Door Floor Guide(Black)

材质及表面处理

MAIN MATERIALS AND FINISHES

- 粉末涂料、磨砂黑
POWDER COATINGS, MATT BLACK

产品参数

Product parameters:

- 产品型号: BH-FG002
PRODUCT MODEL: BH-FG002
- 包装内容: 止摆器1个, 安装螺丝, 六角钥匙, 固定螺丝
PACKAGING CONTENT: One pendulum stopper, mounting screw, hexagon key and fixing screw
- 产品包装: 55MMX35MMX80MM
PACKAGING: 55mm X35mm X80MM
- 产品净重: 180g
NET WEIGHT: 180g

