

H-322 Floor Spring Series

地弹簧系列



功能说明 The Function Instruction

传动配件采用优质特种钢材。意大利油封使用寿命达到 50 万次以上。
内置减压阀，防止因外来强压或强风状态下闭门而造成的地弹簧损坏或漏油。
通用型设计，适合左、右手及双向开启扇。
采用低温防冻液压油，保证在零下 20° C 气温下不会影响闭门速度。
水泥盒中可调长度 5mm，宽度 5mm，在校准零位时纵向调节 ±2°，使产品安装时更加方便。
适用于各种公共场所的玻璃门、木门。

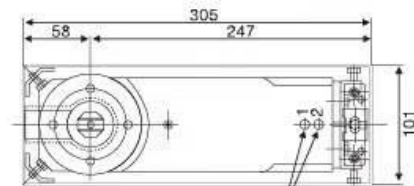
1. Select the high quality steel for transmission parts. The service life of Italy oil seal is over half a million times.
2. Built-in relief valve, to prevent floor hinge from being damage or oil leak by external pressure or closing door in the strong wind.
3. General designed is suitable for opening doors with left/right hand and single/double opening.
4. Filled with high quality anti-icing hydraulic oil, ensuring that closing speed won't be affected at minus 20 degrees.
5. Can adjust 5 mm all around in the metal box, and adjust ±2° in longitudinal direction during zero calibration, making installation easier.
6. Applicable in all public glass & wooden doors.

技术参数 Technological data

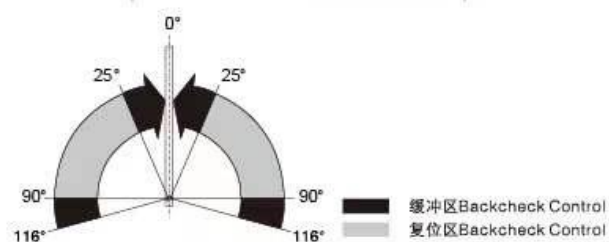
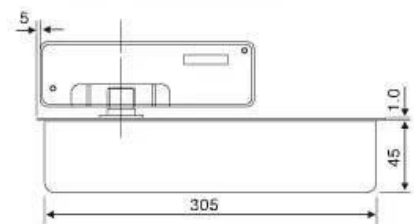
最大门宽 The maxmun door width	≤ 1500mm;
最大门重为 Door weight	150kg;
外观尺寸 Dimension of appearance	322mmx130mmx40mm
适合门尺寸 Suitable for door size	1500mmx2400mm;
定位角度 Location degree	90°
双开门 Double action door	<input checked="" type="checkbox"/>
两段调节速度 2 Section speed adjustment valve	<input checked="" type="checkbox"/>

通过国家 QB/T2697-2005 The products have passed nationa QB/T2697-2005 standard

外形尺寸



关闭速度调节螺丝
Close speed adjustment screw



ZH-50 Floor Spring Series 地弹簧系列



功能说明 The Function Instruction

传动配件采用优质特种钢材。意大利油封使用寿命达到 50 万次以上。
内置减压阀，防止因外来强压或强风状态下闭门而造成的地弹簧损坏或漏油。
通用型设计，适合左、右手及单双向开启扇。
采用低温防冻液压油，保证在零下 20° C 气温下不会影响闭门速度。
水泥盒中可调长度 5mm、宽度 5mm，在校准零位时纵向调节 ±2°，使产品安装时更加方便。
适用于各种公共场所的玻璃门、木门。

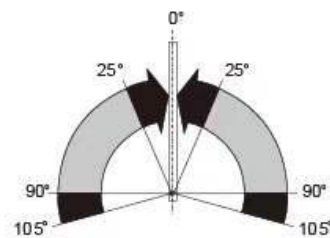
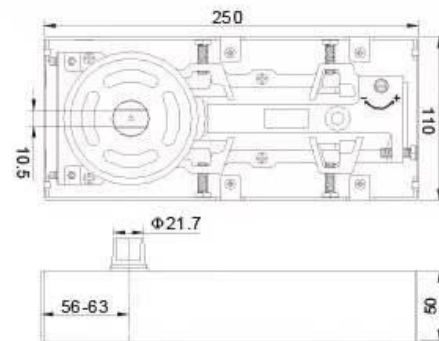
1. Select the high quality steel for transmission parts. The service life of Italy oil seal is over half a million times.
2. Built-in relief valve, to prevent floor hinge from being damage or oil leak by external pressure or closing door in the strong wind.
3. General designed is suitable for opening doors with left/right hand and single/double opening.
4. Filled with high quality anti-icing hydraulic oil, ensuring that closing speed won't be affected at minus 20 degrees.
5. Can adjust 5 mm all around in the metal box, and adjust ±2° in longitudinal direction during zero calibration, making installation easier.
6. Applicable in all public glass & wooden doors.

技术参数 Technological data

最大门宽 The maximum door width	≤ 800mm;
最大门重为 Door weight	80kg;
外观尺寸 Dimension of appearance	250mmx110mmx50mm
适合门尺寸 Suitable for door size	800mmx2000mm;
定位角度 Location degree	90°
双开门 Double action door	<input checked="" type="checkbox"/>
两段调节速度 2 Section speed adjustment valve	<input checked="" type="checkbox"/>

通过国家 QB/T2697-2005 The products have passed national QB/T2697-2005 standard

外形尺寸



■ 缓冲区 Backcheck Control
■ 复位区 Backcheck Control



ZH-60 Floor Spring Series 地弹簧系列



功能说明 The Function Instruction

传动配件采用优质特种钢材。意大利油封使用寿命达到 50 万次以上。
内置减压阀，防止因外来强压或强风状态下闭门而造成的地弹簧损坏或漏油。
通用型设计，适合左、右手及单双向开启扇。
采用低温防冻液压油，保证在零下 20° C 气温下不会影响闭门速度。
水泥盒中可调长度 5mm、宽度 5mm，在校准零位时纵向调节 ±2°，使产品安装时更加方便。
适用于各种公共场所的玻璃门、木门。

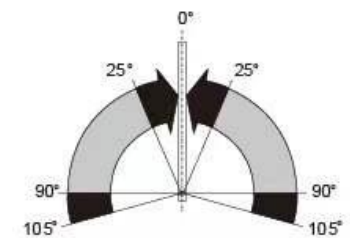
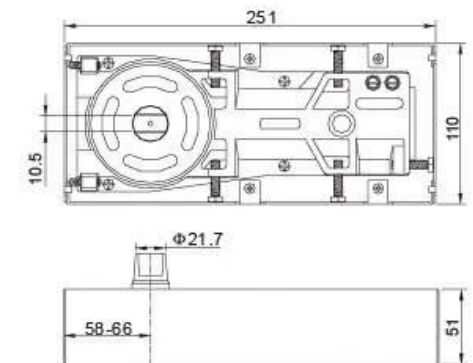
1. Select the high quality steel for transmission parts. The service life of Italy oil seal is over half a million times.
2. Built-in relief valve, to prevent floor hinge from being damage or oil leak by external pressure or closing door in the strong wind.
3. General designed is suitable for opening doors with left/right hand and single/double opening.
4. Filled with high quality anti-icing hydraulic oil, ensuring that closing speed won't be affected at minus 20 degrees.
5. Can adjust 5 mm all around in the metal box, and adjust ±2° in longitudinal direction during zero calibration, making installation easier.
6. Applicable in all public glass & wooden doors.

技术参数 Technological data

最大门宽 The maximum door width	≤ 1000mm;
最大门重为 Door weight	100kg;
外观尺寸 Dimension of appearance	251mmx110mmx51mm
适合门尺寸 Suitable for door size	1000mmx2100mm;
定位角度 Location degree	90°
双开门 Double action door	<input checked="" type="checkbox"/>
两段调节速度 2 Section speed adjustment valve	<input checked="" type="checkbox"/>

通过国家 QB/T2697-2005 The products have passed national QB/T2697-2005 standard

外形尺寸



■ 缓冲区 Backcheck Control
■ 复位区 Backcheck Control



ZH-65 Floor Spring Series 地弹簧系列



功能说明 The Function Instruction

传动配件采用优质特种钢材。意大利油封使用寿命达到 50 万次以上。
内置减压阀，防止因外来强压或强风状态下闭门而造成的地弹簧损坏或漏油。
通用型设计，适合左、右手及单双向开启扇。
采用低温防冻液压油，保证在零下 20° C 气温下不会影响闭门速度。
水泥盒中可调长度 5mm、宽度 5mm，在校准零位时纵向调节 ±2°，使产品安装时更加方便。
适用于各种公共场所的玻璃门、木门。

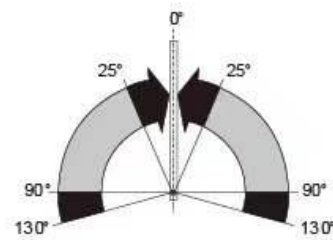
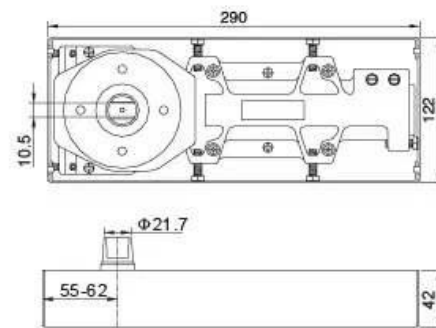
1. Select the high quality steel for transmission parts. The service life of Italy oil seal is over half a million times.
2. Built-in relief valve, to prevent floor hinge from being damage or oil leak by external pressure or closing door in the strong wind.
3. General designed is suitable for opening doors with left/right hand and single/double opening.
4. Filled with high quality anti-icing hydraulic oil, ensuring that closing speed won't be affected at minus 20 degrees.
5. Can adjust 5 mm all around in the metal box, and adjust ±2° in longitudinal direction during zero calibration, making installation easier.
6. Applicable in all public glass & wooden doors.

技术参数 Technological data

闭门力 Closing force	20N.m
最大门宽 The maximum door width	≤ 1100mm
最大门重为 Door weight	110kg
外观尺寸 Dimension of appearance	290mmx122mmx42mm
适合门尺寸 Suitable for door size	1100mmx2200mm
双开门 Double action door	<input checked="" type="checkbox"/>
两段调节速度 2 Section speed adjustment valve	<input checked="" type="checkbox"/>

通过国家 QB/T2697-2005 The products have passed national QB/T2697-2005 standard

外形尺寸



■ 缓冲区 Backcheck Control
■ 复位区 Backcheck Control

ZH-75 Floor Spring Series 地弹簧系列



功能说明 The Function Instruction

传动配件采用优质特种钢材。意大利油封使用寿命达到 50 万次以上。
内置减压阀，防止因外来强压或强风状态下闭门而造成的地弹簧损坏或漏油。
通用型设计，适合左、右手及单双向开启扇。
采用低温防冻液压油，保证在零下 20° C 气温下不会影响闭门速度。
水泥盒中可调长度 5mm、宽度 5mm，在校准零位时纵向调节 ±2°，使产品安装时更加方便。
适用于各种公共场所的玻璃门、木门。

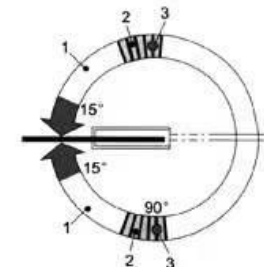
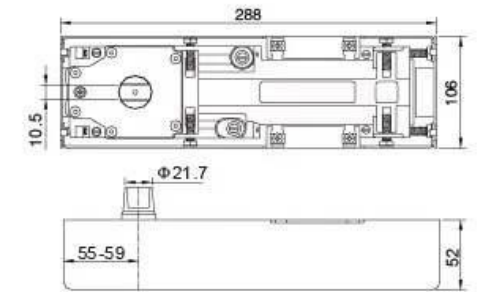
1. Select the high quality steel for transmission parts. The service life of Italy oil seal is over half a million times.
2. Built-in relief valve, to prevent floor hinge from being damage or oil leak by external pressure or closing door in the strong wind.
3. General designed is suitable for opening doors with left/right hand and single/double opening.
4. Filled with high quality anti-icing hydraulic oil, ensuring that closing speed won't be affected at minus 20 degrees.
5. Can adjust 5 mm all around in the metal box, and adjust ±2° in longitudinal direction during zero calibration, making installation easier.
6. Applicable in all public glass & wooden doors.

技术参数 Technological data

最大门宽 The maximum door width	≤ 1000mm;
最大门重为 Door weight	160kg
外观尺寸 Dimension of appearance	288mmx106mmx52mm
适合门尺寸 Suitable for door size	1200mmx2500mm;
定位角度 Location degree	90° 180° 270° 360°
双开门 Double action door	<input checked="" type="checkbox"/>
两段调节速度 2 Section speed adjustment valve	<input checked="" type="checkbox"/>

通过国家 QB/T2697-2005 The products have passed national QB/T2697-2005 standard

外形尺寸



1. 闭门全程液压控制，175o-15o 及 15o-0o 两段独立速度调节
 2. 缓冲功能（约于 70o 产生）
 3. 门扇定位设于 90o
1. Two-stage closing speed control valves are adjustable from 175-15 and from 15-0, closing process control by hydraulic oil
2. Backcheck function (occurred in about 70 degree)
3. Door leaf hold open function set in 90 degree or 150 degree



ZH-84 Floor Spring Series 地弹簧系列



功能说明 The Function Instruction

传动配件采用优质特种钢材。意大利油封使用寿命达到50万次以上。
内置减压阀，防止因外来强压或强风状态下闭门而造成的地弹簧损坏或漏油。
通用型设计，适合左、右手及单双向开启。
采用低温防冻液压油，保证在零下20°C气温下不会影响闭门速度。
水泥盒中可调长度5mm、宽度5mm，在校准零位时纵向调节±2°，使产品安装时更加方便。
适用于各种公共场所的玻璃门、木门。

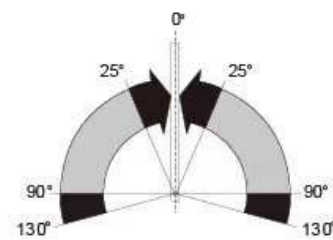
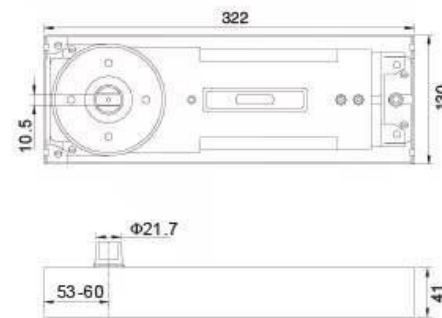
1. Select the high quality steel for transmission parts. The service life of Italy oil seal is over half a million times.
2. Built-in relief valve, to prevent floor hinge from being damage or oil leak by external pressure or closing door in the strong wind.
3. General designed is suitable for opening doors with left/right hand and single/double opening.
4. Filled with high quality anti-icing hydraulic oil, ensuring that closing speed won't be affected at minus 20 degrees.
5. Can adjust 5 mm all around in the metal box, and adjust ±2° in longitudinal direction during zero calibration, making installation easier.
6. Applicable in all public glass & wooden doors.

技术参数 Technological data

最大门宽 The maximum door width	≤ 1200mm;
最大门重为 Door weight	150kg;
外观尺寸 Dimension of appearance	322mmx130mmx41mm
适合门尺寸 Suitable for door size	1200mmx2300mm;
定位角度 Location degree	90°
双开门 Double action door	<input checked="" type="checkbox"/>
两段调节速度 2 Section speed adjustment valve	<input checked="" type="checkbox"/>

通过国家 QB/T2697-2005 The products have passed national QB/T2697-2005 standard

外形尺寸



■ 缓冲区 Backcheck Control
■ 复位区 Backcheck Control

ZH-7300 Floor Spring Series 地弹簧系列



功能说明 The Function Instruction

传动配件采用优质特种钢材。意大利油封使用寿命达到50万次以上。
内置减压阀，防止因外来强压或强风状态下闭门而造成的地弹簧损坏或漏油。
通用型设计，适合左、右手及单双向开启。
采用低温防冻液压油，保证在零下20°C气温下不会影响闭门速度。
水泥盒中可调长度5mm、宽度5mm，在校准零位时纵向调节±2°，使产品安装时更加方便。
适用于各种公共场所的玻璃门、木门。

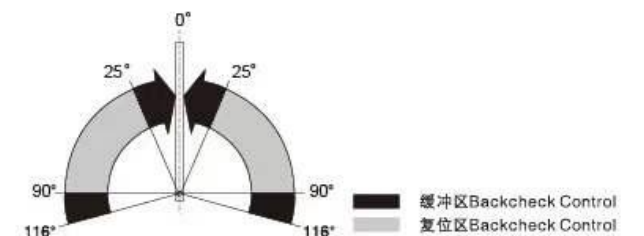
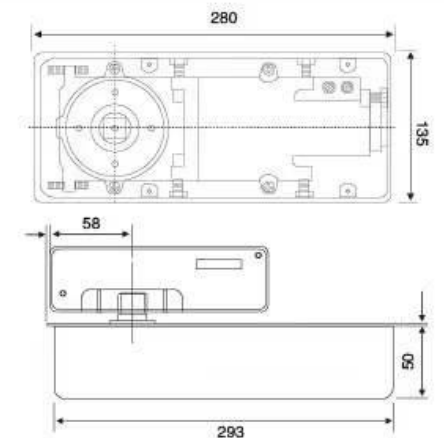
1. Select the high quality steel for transmission parts. The service life of Italy oil seal is over half a million times.
2. Built-in relief valve, to prevent floor hinge from being damage or oil leak by external pressure or closing door in the strong wind.
3. General designed is suitable for opening doors with left/right hand and single/double opening.
4. Filled with high quality anti-icing hydraulic oil, ensuring that closing speed won't be affected at minus 20 degrees.
5. Can adjust 5 mm all around in the metal box, and adjust ±2° in longitudinal direction during zero calibration, making installation easier.
6. Applicable in all public glass & wooden doors.

技术参数 Technological data

最大门宽 The maximum door width	≤ 1600mm;
最大门重为 Door weight	160kg;
外观尺寸 Dimension of appearance	280mmx135mmx50mm
适合门尺寸 Suitable for door size	1600mmx2800mm;
定位角度 Location degree	90°
双开门 Double action door	<input checked="" type="checkbox"/>
两段调节速度 2 Section speed adjustment valve	<input checked="" type="checkbox"/>

通过国家 QB/T2697-2005 The products have passed national QB/T2697-2005 standard

外形尺寸



■ 缓冲区 Backcheck Control
■ 复位区 Backcheck Control

出口型 Floor Spring Series
调高底机型地弹簧



功能说明 The Function Instruction

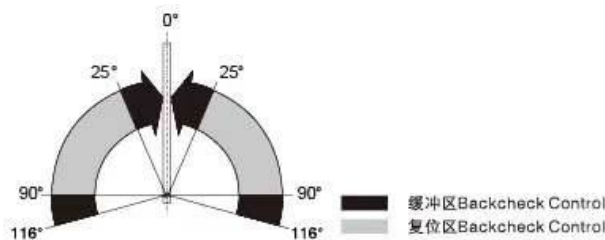
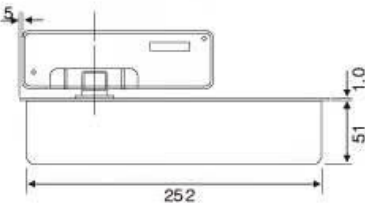
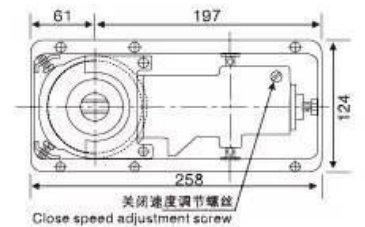
传动配件采用优质特种钢材。意大利油封使用寿命达到 50 万次以上。
内置减压阀，防止因外来强压或强风状态下闭门而造成的地弹簧损坏或漏油。
通用型设计，适合左、右手及单双向开启扇。
采用低温防冻液压油，保证在零下 20° C 气温下不会影响闭门速度。
水泥盒中可调长度 5mm、宽度 5mm，在校准零位时纵向调节 ±2°，使产品安装时更加方便。
适用于各种公共场所的玻璃门、木门。

1. Select the high quality steel for transmission parts. The service life of Italy oil seal is over half a million times.
2. Built-in relief valve, to prevent floor hinge from being damage or oil leak by external pressure or closing door in the strong wind.
3. General designed is suitable for opening doors with left/right hand and single/double opening.
4. Filled with high quality anti-icing hydraulic oil, ensuring that closing speed won't be affected at minus 20 degrees.
5. Can adjust 5 mm all around in the metal box, and adjust ±2° in longitudinal direction during zero calibration, making installation easier.
6. Applicable in all public glass & wooden doors.

技术参数 Technological data

最大门宽 The maximum door width	≤ 850mm;
最大门重为 Door weight	80kg;
外观尺寸 Dimension of appearance	270mmx130mmx48mm
适合门尺寸 Suitable for door size	850mmx2000mm;
定位角度 Location degree	90°
双开门 Double action door	<input checked="" type="checkbox"/>
单段调节速度 2 Section speed adjustment valve	<input checked="" type="checkbox"/>
通过国家 QB/T2697-2005 The products have passed national QB/T2697-2005 standard	

外形尺寸



H-230 Floor Spring Series
地弹簧系列



功能说明 The Function Instruction

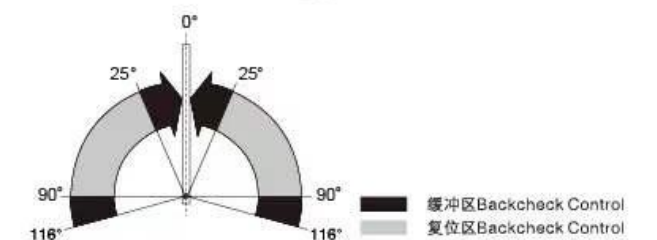
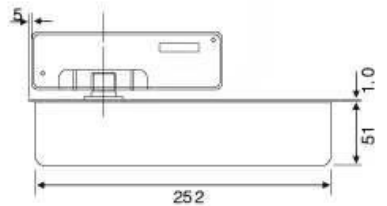
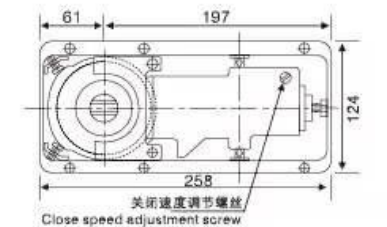
传动配件采用优质特种钢材。意大利油封使用寿命达到 50 万次以上。
内置减压阀，防止因外来强压或强风状态下闭门而造成的地弹簧损坏或漏油。
通用型设计，适合左、右手及单双向开启扇。
采用低温防冻液压油，保证在零下 20° C 气温下不会影响闭门速度。
水泥盒中可调长度 5mm、宽度 5mm，在校准零位时纵向调节 ±2°，使产品安装时更加方便。
适用于各种公共场所的玻璃门、木门。

1. Select the high quality steel for transmission parts. The service life of Italy oil seal is over half a million times.
2. Built-in relief valve, to prevent floor hinge from being damage or oil leak by external pressure or closing door in the strong wind.
3. General designed is suitable for opening doors with left/right hand and single/double opening.
4. Filled with high quality anti-icing hydraulic oil, ensuring that closing speed won't be affected at minus 20 degrees.
5. Can adjust 5 mm all around in the metal box, and adjust ±2° in longitudinal direction during zero calibration, making installation easier.
6. Applicable in all public glass & wooden doors.

技术参数 Technological data

最大门宽 The maximum door width	≤ 850mm;
最大门重为 Door weight	80kg;
外观尺寸 Dimension of appearance	270mmx130mmx48mm
适合门尺寸 Suitable for door size	850mmx2000mm;
定位角度 Location degree	90°
双开门 Double action door	<input checked="" type="checkbox"/>
单段调节速度 2 Section speed adjustment valve	<input checked="" type="checkbox"/>
通过国家 QB/T2697-2005 The products have passed national QB/T2697-2005 standard	

外形尺寸





H-220 Floor Spring Series 地弹簧系列



功能说明 The Function Instruction

传动配件采用优质特种钢材。意大利油封使用寿命达到 50 万次以上。
内置减压阀，防止因外来强压或强风状态下闭门而造成的地弹簧损坏或漏油。
通用型设计，适合左、右手及单双向开启扇。
采用低温防冻液压油，保证在零下 20° C 气温下不会影响闭门速度。
水泥盒中可调长度 5mm，宽度 5mm，在校准零位时纵向调节 ±2°，使产品安装时更加方便。
适用于各种公共场所的玻璃门、木门。

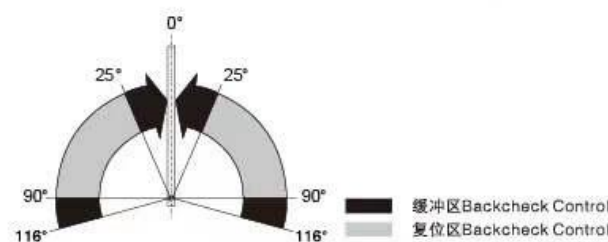
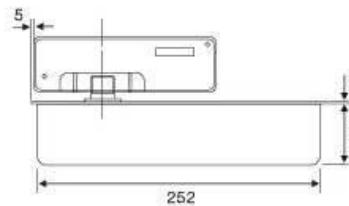
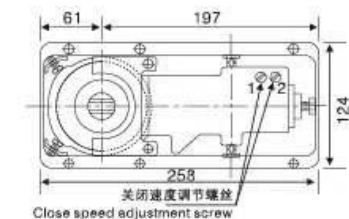
1. Select the high quality steel for transmission parts. The service life of Italy oil seal is over half a million times.
2. Built-in relief valve, to prevent floor hinge from being damage or oil leak by external pressure or closing door in the strong wind.
3. General designed is suitable for opening doors with left/right hand and single/double opening.
4. Filled with high quality anti-icing hydraulic oil, ensuring that closing speed won't be affected at minus 20 degrees.
5. Can adjust 5 mm all around in the metal box, and adjust ±2° in longitudinal direction during zero calibration, making installation easier.
6. Applicable in all public glass & wooden doors.

技术参数 Technological data

最大门宽 The maximum door width	≤ 1000mm;
最大门重为 Door weight	110kg;
外观尺寸 Dimension of appearance	270mmx130mmx48mm
适合门尺寸 Suitable for door size	1000mmx2200mm;
定位角度 Location degree	90°
双开门 Double action door	<input checked="" type="checkbox"/>
两段调节速度 2 Section speed adjustment valve	<input checked="" type="checkbox"/>

通过国家 QB/T2697-2005 The products have passed national QB/T2697-2005 standard

外形尺寸



H-1200 Floor Spring Series 地弹簧系列



功能说明 The Function Instruction

传动配件采用优质特种钢材。意大利油封使用寿命达到 50 万次以上。
内置减压阀，防止因外来强压或强风状态下闭门而造成的地弹簧损坏或漏油。
通用型设计，适合左、右手及单双向开启扇。
采用低温防冻液压油，保证在零下 20° C 气温下不会影响闭门速度。
水泥盒中可调长度 5mm，宽度 5mm，在校准零位时纵向调节 ±2°，使产品安装时更加方便。
适用于各种公共场所的玻璃门、木门。

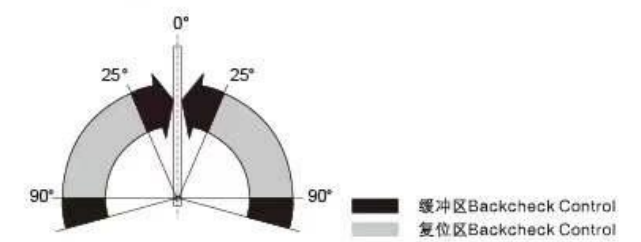
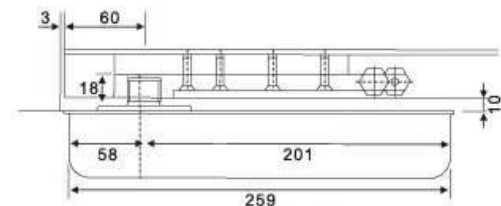
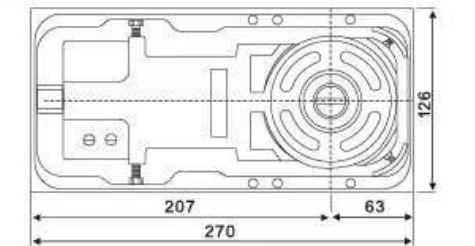
1. Select the high quality steel for transmission parts. The service life of Italy oil seal is over half a million times.
2. Built-in relief valve, to prevent floor hinge from being damage or oil leak by external pressure or closing door in the strong wind.
3. General designed is suitable for opening doors with left/right hand and single/double opening.
4. Filled with high quality anti-icing hydraulic oil, ensuring that closing speed won't be affected at minus 20 degrees.
5. Can adjust 5 mm all around in the metal box, and adjust ±2° in longitudinal direction during zero calibration, making installation easier.
6. Applicable in all public glass & wooden doors.

技术参数 Technological data

最大门宽 The maximum door width	≤ 1100mm;
最大门重为 Door weight	115kg;
外观尺寸 Dimension of appearance	270mmx126mmx54mm
适合门尺寸 Suitable for door size	1100mmx2100mm;
定位角度 Location degree	90°
双开门 Double action door	<input checked="" type="checkbox"/>
两段调节速度 2 Section speed adjustment valve	<input checked="" type="checkbox"/>

通过国家 QB/T2697-2005 The products have passed national QB/T2697-2005 standard

外形尺寸



H-118 Floor Spring Series 调高底机型地弹簧



功能说明 The Function Instruction

传动配件采用优质特种钢材。意大利油封使用寿命达到50万次以上。
内置减压阀，防止因外来强压或强风状态下闭门而造成的地弹簧损坏或漏油。
通用型设计，适合左、右手及单双向开启扇。
采用低温防冻液压油，保证在零下 20°C 气温下不会影响闭门速度。
水泥盒中可调长度5mm、宽度5mm，在校准零位时纵向调节 $\pm 2^\circ$ ，使产品安装时更加方便。
适用于各种公共场所的玻璃门、木门。

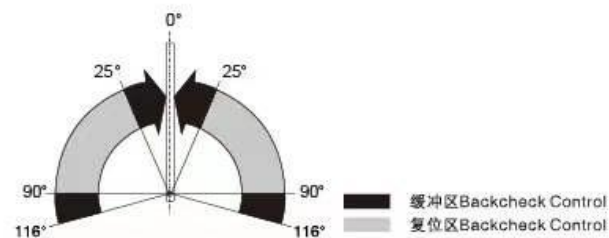
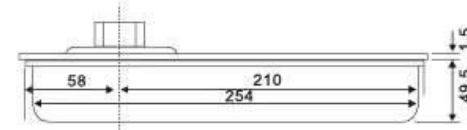
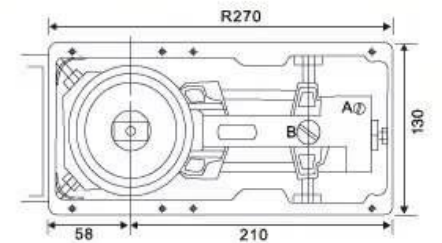
1. Select the high quality steel for transmission parts. The service life of Italy oil seal is over half a million times.
2. Built-in relief valve, to prevent floor hinge from being damage or oil leak by external pressure or closing door in the strong wind.
3. General designed is suitable for opening doors with left/right hand and single/double opening.
4. Filled with high quality anti-icing hydraulic oil, ensuring that closing speed won't be affected at minus 20 degrees.
5. Can adjust 5 mm all around in the metal box, and adjust $\pm 2^\circ$ in longitudinal direction during zero calibration, making installation easier.
6. Applicable in all public glass & wooden doors.

技术参数 Technological data

最大门宽 The maximum door width	$\leq 1000\text{mm}$;
最大门重为 Door weight	80kg;
外观尺寸 Dimension of appearance	270mmx130mmx49.5mm
适合门尺寸 Suitable for door size	1000mmx2100mm;
定位角度 Location degree	90°
双开门 Double action door	<input checked="" type="checkbox"/>
单段调节速度 2 Section speed adjustment valve	<input checked="" type="checkbox"/>

通过国家 QB/T2697-2005 The products have passed national QB/T2697-2005 standard

外形尺寸



H-228 Floor Spring Series 调高底机型地弹簧



功能说明 The Function Instruction

传动配件采用优质特种钢材。意大利油封使用寿命达到50万次以上。
内置减压阀，防止因外来强压或强风状态下闭门而造成的地弹簧损坏或漏油。
通用型设计，适合左、右手及单双向开启扇。
采用低温防冻液压油，保证在零下 20°C 气温下不会影响闭门速度。
水泥盒中可调长度5mm、宽度5mm，在校准零位时纵向调节 $\pm 2^\circ$ ，使产品安装时更加方便。
适用于各种公共场所的玻璃门、木门。

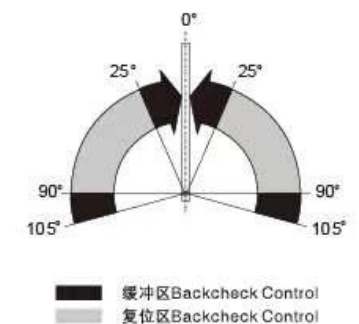
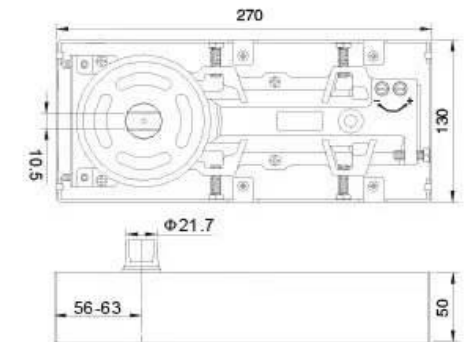
1. Select the high quality steel for transmission parts. The service life of Italy oil seal is over half a million times.
2. Built-in relief valve, to prevent floor hinge from being damage or oil leak by external pressure or closing door in the strong wind.
3. General designed is suitable for opening doors with left/right hand and single/double opening.
4. Filled with high quality anti-icing hydraulic oil, ensuring that closing speed won't be affected at minus 20 degrees.
5. Can adjust 5 mm all around in the metal box, and adjust $\pm 2^\circ$ in longitudinal direction during zero calibration, making installation easier.
6. Applicable in all public glass & wooden doors.

技术参数 Technological data

最大门宽 The maximum door width	$\leq 1000\text{mm}$;
最大门重为 Door weight	110kg;
外观尺寸 Dimension of appearance	270mmx130mmx50mm
适合门尺寸 Suitable for door size	1100mmx2000mm;
定位角度 Location degree	90°
双开门 Double action door	<input checked="" type="checkbox"/>
两段调节速度 2 Section speed adjustment valve	<input checked="" type="checkbox"/>

通过国家 QB/T2697-2005 The products have passed national QB/T2697-2005 standard

外形尺寸



H-238 Floor Spring Series 地弹簧系列



功能说明 The Function Instruction

传动配件采用优质特种钢材。意大利油封使用寿命达到50万次以上。
内置减压阀，防止因外来强压或强风状态下闭门而造成的地弹簧损坏或漏油。
通用型设计，适合左、右手及单双向开启扇。
采用低温防冻液压油，保证在零下20°C气温下不会影响闭门速度。
水泥盒中可调长度5mm、宽度5mm，在校准零位时纵向调节±2°，使产品安装时更加方便。
适用于各种公共场所的玻璃门、木门。

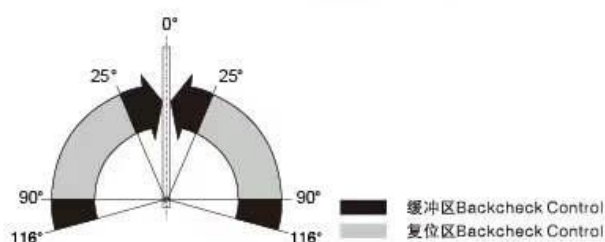
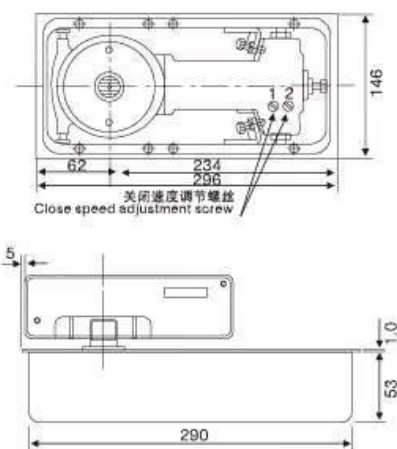
1. Select the high quality steel for transmission parts. The service life of Italy oil seal is over half a million times.
2. Built-in relief valve, to prevent floor hinge from being damage or oil leak by external pressure or closing door in the strong wind.
3. General designed is suitable for opening doors with left/right hand and single/double opening.
4. Filled with high quality anti-icing hydraulic oil, ensuring that closing speed won't be affected at minus 20 degrees.
5. Can adjust 5 mm all around in the metal box, and adjust ±2° in longitudinal direction during zero calibration, making installation easier.
6. Applicable in all public glass & wooden doors.

技术参数 Technological data

最大门宽 The maximum door width	≤ 1300mm;
最大门重为 Door weight	130kg;
外观尺寸 Dimension of appearance	305mmx152mmx50mm
适合门尺寸 Suitable for door size	1300mmx2400mm;
定位角度 Location degree	90°
双开门 Double action door	<input checked="" type="checkbox"/>
两段调节速度 2 Section speed adjustment valve	<input checked="" type="checkbox"/>

通过国家 QB/T2697-2005 The products have passed national QB/T2697-2005 standard

外形尺寸



■ 缓冲区 Backcheck Control
■ 复位区 Backcheck Control



H-818 Floor Spring Series 地弹簧系列



功能说明 The Function Instruction

传动配件采用优质特种钢材。意大利油封使用寿命达到50万次以上。
内置减压阀，防止因外来强压或强风状态下闭门而造成的地弹簧损坏或漏油。
通用型设计，适合左、右手及单双向开启扇。
采用低温防冻液压油，保证在零下20°C气温下不会影响闭门速度。
水泥盒中可调长度5mm、宽度5mm，在校准零位时纵向调节±2°，使产品安装时更加方便。
适用于各种公共场所的玻璃门、木门。

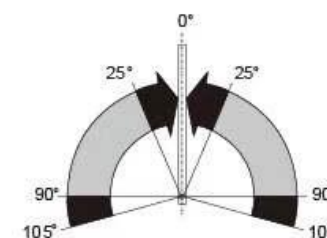
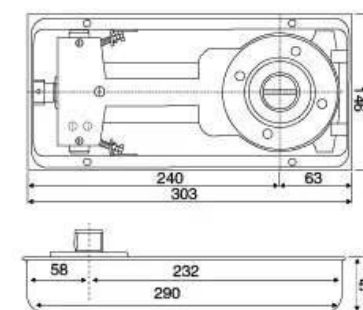
1. Select the high quality steel for transmission parts. The service life of Italy oil seal is over half a million times.
2. Built-in relief valve, to prevent floor hinge from being damage or oil leak by external pressure or closing door in the strong wind.
3. General designed is suitable for opening doors with left/right hand and single/double opening.
4. Filled with high quality anti-icing hydraulic oil, ensuring that closing speed won't be affected at minus 20 degrees.
5. Can adjust 5 mm all around in the metal box, and adjust ±2° in longitudinal direction during zero calibration, making installation easier.
6. Applicable in all public glass & wooden doors.

技术参数 Technological data

最大门宽 The maximum door width	≤ 1300mm;
最大门重为 Door weight	130kg;
外观尺寸 Dimension of appearance	303mmx146mmx52mm
适合门尺寸 Suitable for door size	1300mmx2400mm;
定位角度 Location degree	90°
双开门 Double action door	<input checked="" type="checkbox"/>
两段调节速度 2 Section speed adjustment valve	<input checked="" type="checkbox"/>

通过国家 QB/T2697-2005 The products have passed national QB/T2697-2005 standard

外形尺寸



■ 缓冲区 Backcheck Control
■ 复位区 Backcheck Control